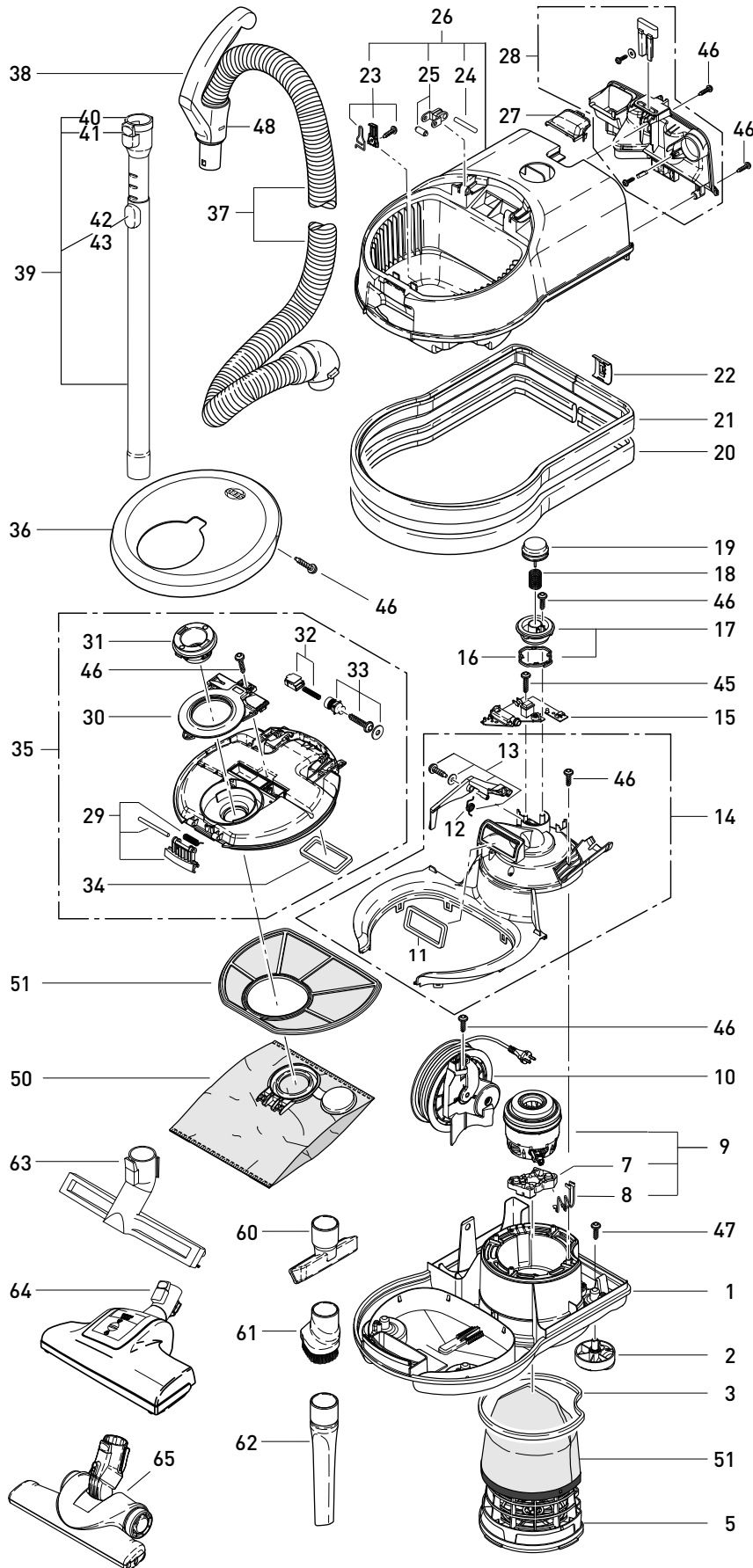


AIRBELT D1 TURBO SCHEMATIC AND PARTS LIST

#90604AM AIRBELT D1 Turbo - Black Cherry (USA)
 #90604FC AIRBELT D1 Turbo - Black Cherry, Lava (Canada)



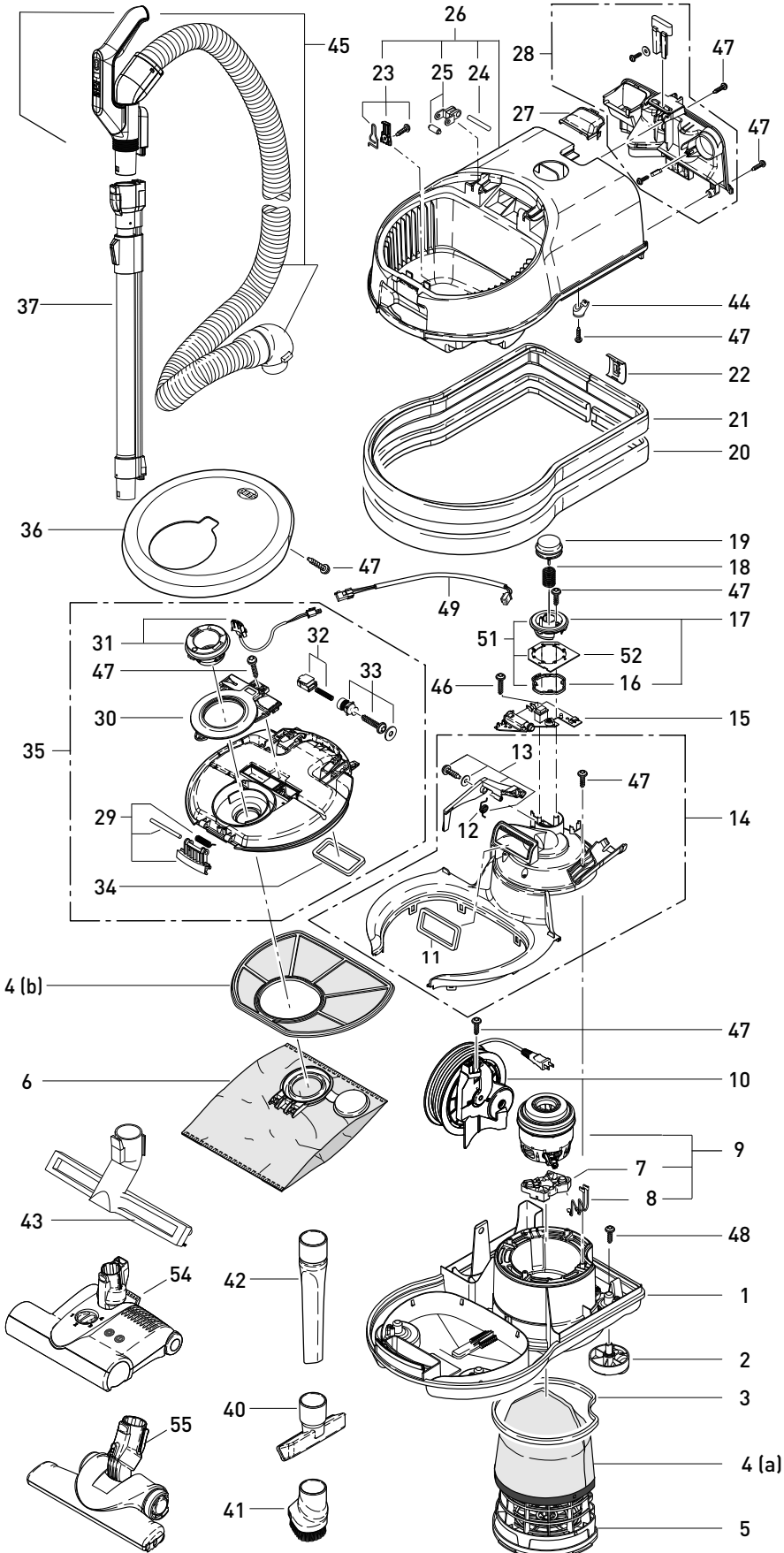
Canister with Handle/Hose

#90604AM D1 Turbo, #90604FC D1 Turbo
 Black Cherry Machine

Pos.	Part #	Description
1	8001SRER	Bottom casing, black cherry
2	8086GS	Castor, cpl.
3	8065ER	Microfilter seal
5	8084ER	Filter holder
7	8045ER	Motor support
8	8091AM	Internal cable set w/thermal cut-off
9	8048ER	Vacuum motor, 1200W
10	665613E	Cord rewinder
11	8009	Motor inlet seal
12	8098ER	Rewind lever spring
13	8036ER	Rewind lever, cpl.
14	8085ER	Motor cover, cpl.
15	8102ER	Printed circuit board
16	8058ER	Retaining ring
17	8038ER2	Power display overprinted
18	8057	Spring
19	8202GS	Power knob/suction control
20	6047AM01	AIRBELT textile, gray black
21	8033UL	Foam bumper
22	8034GS	AIRBELT clip, gray black
23	8140ER	Filter bag spring
24	6750ER	Cover axle
25	8052ER	Cover hinge
26	8003SRER	Top casing, black cherry
27	8059GS	Cable entry
28	8010GSER	Attachment holder
29	8114ER	Cover release
30	8129GS	Cover insert, UL
31	8078GS	Hose neck
32	7020ER	Bag indicator
33	8127ER	Bag indicator adjuster
34	8130	Cover seal
35	8051AM1	Inside cover cpl.
36	8005SRER	Bag cover D1, black cherry, lava
37	8169GS	Hose with end couplings incl. handle
38	6300GS	Handle grip, cpl.
39	6237ER	Telescopic tube, stainless steel
40	1736GS	Fitting neck
41	6480ER	Release button, set for tubes 6237, 6270, 6271
42	6425ER	Sliding knob
43	6238ER	Locking mechanism
45	01000	Screw 2.9x16
46	01036	Screw 4 x14
47	0102	Screw 3.39x13
48	6303GS	Retaining ring
50	8120AM	AeraPure™ filter bag
51	8191AM	Micro filter box D
60	8142GS	Upholstery nozzle
61	8146ER	Dusting brush
62	8066GS	Crevice nozzle
63	6391DA	Parquet brush (AM models)
64	8365GS	TT-C Turbo head
65	7200GS	Premium parquet brush (FC models)

AIRBELT D4 PREMIUM SCHEMATIC AND PARTS LIST

- #90940AM AIRBELT D4 Premium - Onyx (Black) (USA)
- #90940FC AIRBELT D4 Premium - Onyx (Black) (Canada)
- #90941AM AIRBELT D4 Premium - Arctic White (USA)
- #90941FC AIRBELT D4 Premium - Arctic White (Canada)
- #90948FC AIRBELT D4 Premium - Red (Canada)



Canister with Handle/Hose

#90941AM D4 Premium, Arctic White Machine

Pos.	Part #	Description
1	8001WEER	Bottom casing (2 & 3)
2	8086GS	Castor cpl
3	8065ER	Microfilter seal
4	8191AM	Microfilter box D a) Exhaust microfilter & b) Pre-motor filter
5	8084ER	Microfilter holder
6	8120AM	AeraPure™ filter bag
7	8045ER	Motor support
8	8091AM	Internal cable set w/thermal cut-off
9	8048ER	Vac motor 1200W (7 & 8)
10	665613E	Cord rewinder
11	8009	Motor inlet seal
12	8098ER	Rewind lever spring
13	8036ER	Rewind lever w/screw, washer & spring (12)
14	8085ER	Motor cover cpl (11 & 13)
15	8106ER	PCB w/ switch
16	8058ER	Retaining ring
17	8038ER1	Power display (16)
18	8057	Spring for power button
19	8037GS	Power knob
20	6047AM01	AIRBELT textile, gray black
21	8033UL	Foam bumper
22	8034GS	AIRBELT clip
23	8140ER	Filter bag spring w/hardware
24	6750ER	Bag cover axle set
25	8052ER	Bag cover hinge (2 pcs) w/ axle
26	8003WEER	Top casing (23-25)
27	8059GS	Cable entry
28	8010GSER	Attachment holder cpl
29	8114ER	Bag cover release w/axle & spring
30	8129GS	Bag cover insert
31	8079ER	Hose neck w/ wiring
32	7020ER	Bag indicator w/spring
33	8127ER	Bag indicator adjuster w/hardware
34	8130	Bag cover seal
35	8051AM4	Inside cover cpl (29-34, 47 & 50)
36	8005WEER	Bag cover, D4, white
37	60237UC	Telescopic tube
40	8142GS	Upholstery nozzle
41	8146ER	Dusting brush, horsehair
42	8066GS	Crevice nozzle
43	6391DA	Parquet brush (AM models)
44	5266	Cable clamp
45	8546AM	7' hose with handle, complete assembly only
46	01000	Screw C 2.9 x 16
47	01036	Screw 4 x 14
48	0102	Screw F 3.9 x 13
49	8160	Internal cable
51	8038ER4	Power display (16,17 & 52)
52	8108ER	PCB w/lights
54	9260AM	ET-1 Power head, arctic white

#90941FC D4 Premium Arctic White Machine Exceptions

20	6047AM02	AIRBELT textile, titanium silver
55	7200GS	Premium parquet brush

#90940AM D4 Premium, #90940FC D4 Premium Onyx (black) Machine Exceptions

1	8001SWER	Bottom casing (2)
20	6047AM10	AIRBELT textile, black/silver stripes
26	8003SWER	Top casing (23-25)
36	8005SWER	Bag cover, D4, onyx, black
54	9261AM	ET-1 Power head, black

#90948FC D4 Premium Red Machine Exceptions

1	8001DRER	Bottom casing (2)
26	8003DRER	Top casing (23-25)
36	8005DRER	Bag cover, D4, red
54	9296AM	ET-1 Power head, red