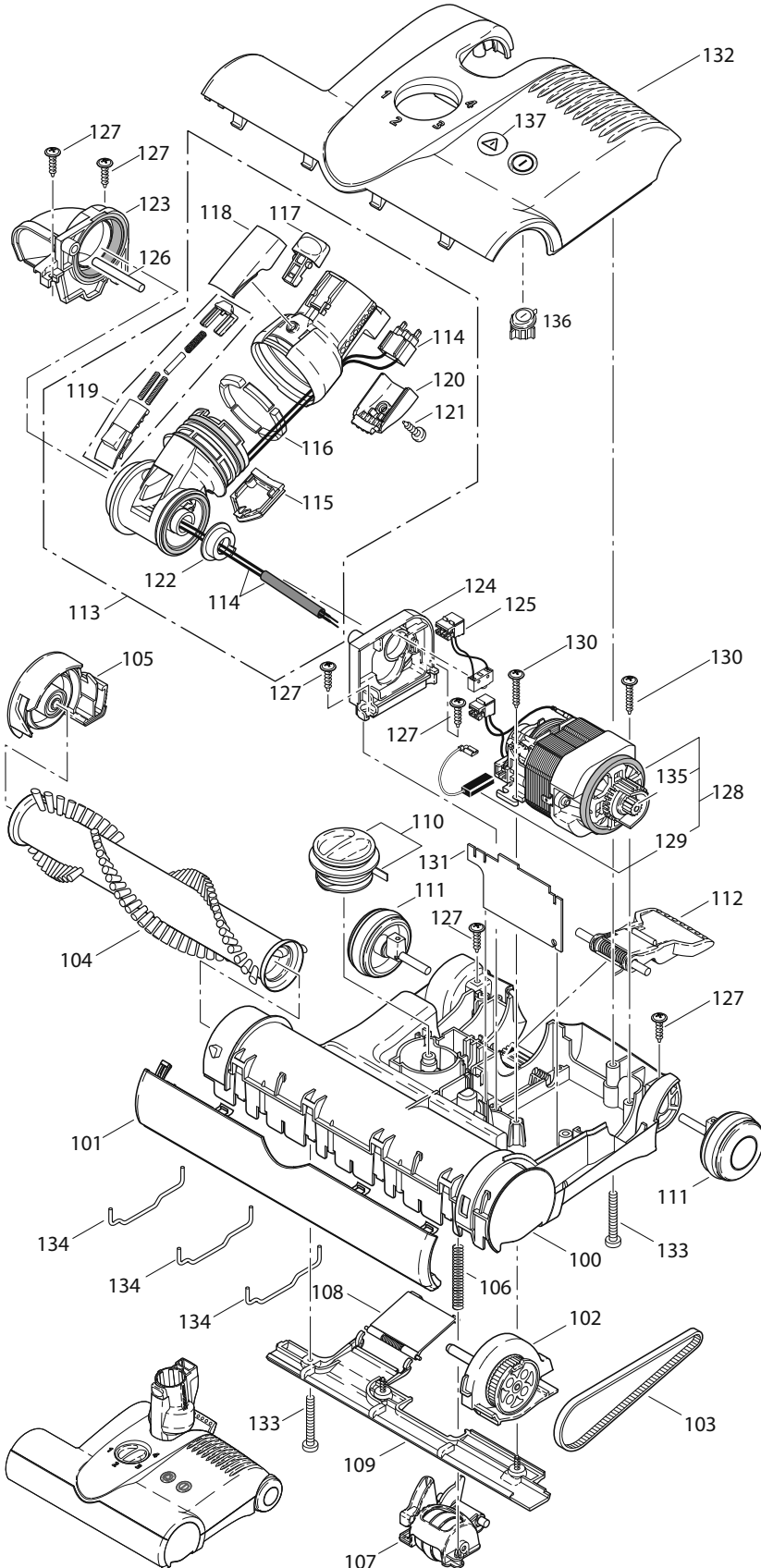


ET-1 POWER HEAD **WITHOUT** FOOT SWITCH SCHEMATIC AND PARTS LIST

ET-1 Power Head without Foot Switch

- #9260AM ET-1 Arctic White
- #9261AM ET-1 Onyx (Black)
- #9274AM ET-1 Orange
- #9296AM ET-1 Red
- #9988AM ET-1 Graphite



ET-1: 12 inches

#9260AM ET-1 Arctic White Power Head WITHOUT FOOT SWITCH

Pos.	Part #	Description
100	2324GS	Chassis ET-1
101	2302GS	Bumper, cpl.
102	2314GS	Bearing block, left cpl.
103	2923	Belt 333 3M HTDII-6
104	5010AM	Brush roller, cpl.
105	2313GS	Bearing block, right cpl.
106	2929	Spring
107	2316GS	Pile adjustment assembly, cpl.
108	2909VO	Access door w/axle & spring
109	2304GS	Rear bottom plate, cpl.
110	2931GS	Pile adjustment knob, gray black
111	2306GS	Wheel, cpl.
112	2937OR	Foot pedal w/axle & spring
113	2307GS	Swivel neck assembly, cpl.
114	0876ER	Wiring for swivel neck
115	2947GS	Cover, TS-neck
116	2950ER	Segments, metal (6 pc. set), TS-neck
117	6480ER	Release button/w leaf spring
118	2952GS	Button cover
119	2945GS	Swivel neck slide
120	2951GS	Socket cover
121	01027	Screw F 3.9x9.5
122	2954	Swivel neck bearing
123	2311	Swivel neck support, right
124	2312	Swivel neck support, left
125	0880	Wiring swivel neck switch
126	2928	Axle
127	01021	Screw F 3.9x13
128	2973ER	Brush motor, 175W w/pulley (129 & 138)
129	05141S	Carbon brush set
130	01020	Screw F 3.9x21
131	2684ER	Printed circuit board, V2 PCB
132	20335WEET	Power head cover ET-1, white
133	0176	Screw AM 4x30
134	5402	Wire tire
135	2319	Motor pulley
136	20955	Lens left, w/o foot switch
137	2956	Brush light lens, right

#9261AM ET-1 Onyx (Black) Power Head WITHOUT FOOT SWITCH Exception

- 110 2931SB Pile adjustment knob, silver
- 132 20337SWET Power head cover ET-1, black

#9274AM ET-1 Orange Power Head WITHOUT FOOT SWITCH Exceptions

- 132 20337VOET Power head cover ET-1, orange

#9296AM ET-1 Red Power Head WITHOUT FOOT SWITCH Exceptions

- 132 20337DRET Power head cover ET-1, red

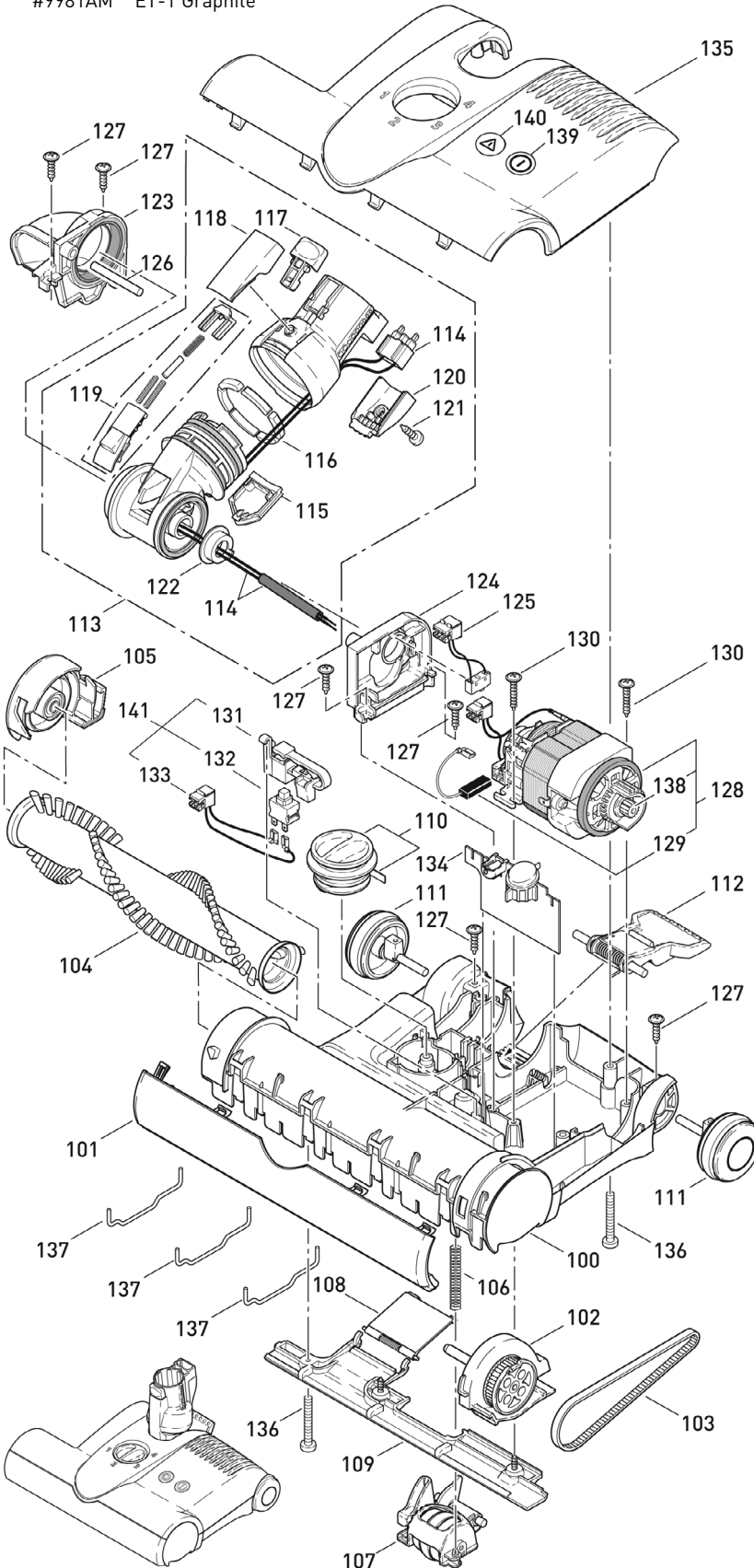
#9988AM ET-1 Graphite Power Head WITHOUT FOOT SWITCH Exceptions

- 110 2931SB Pile adjustment knob, silver
- 132 20337GSET Power head cover ET-1, graphite

ET-1 POWER HEAD WITH FOOT SWITCH SCHEMATIC AND PARTS LIST

ET-1 Power Head with Foot Switch

- #9258AM ET-1 Arctic White
- #9954AM ET-1 Arctic White
- #9272AM ET-1 Orange
- #9299AM ET-1 Red
- #9951AM ET-1 Onyx (Black)
- #9981AM ET-1 Graphite



ET-1: 12 inches

#9258AM & 9954AM ET-1 Arctic White Power Head WITH FOOT SWITCH

Pos.	Part #	Description
100	2324GS	Chassis ET-1
101	2302GS	Bumper, cpl.
102	2314GS	Bearing block, left cpl.
103	2923	Belt 333 3M HTDII-6
104	5010AM	Brush roller, cpl.
105	2313GS	Bearing block, right cpl.
106	2929	Spring
107	2316GS	Pile adjustment assembly, cpl.
108	2909VO	Access door w/axle & spring
109	2304GS	Rear bottom plate, cpl.
110	2931GS	Pile adjustment knob
111	2306GS	Wheel, cpl.
112	2937OR	Foot pedal w/axle & spring
113	2307GS	Swivel neck assembly, cpl.
114	0876ER	Wiring for swivel neck
115	2947GS	Cover, TS-neck
116	2950ER	Segments, metal (6 pc. set)
117	6480ER	Release button/w leaf spring
118	2952GS	Button cover
119	2945GS	Swivel neck slide
120	2951GS	Socket cover
121	01027	Screw F 3.9x9.5
122	2954	Swivel neck bearing
123	2311	Swivel neck support, right
124	2312	Swivel neck support, left
125	0880	Wiring swivel neck switch
126	2928	Axle
127	01021	Screw F 3.9x13
128	2973ER	Brush motor, 175W w/pulley (129 & 138))
129	05141S	Carbon brush set
130	01020	Screw F 3.9x21
131	2958ER	Lever w/leaf spring
132	05114	Single pole switch
133	0881	Wire
134	2684ER	Printed circuit board
135	2326WEET	Power head cover ET-1, white
136	0176	Screw AM 4x30
137	5402	Wire tire
138	2319	Motor pulley
139	2957	On/off button/lens, left
140	2956	Brush light lens, right
141	2959ER	Switch assembly cpl. (131-133)

#9272AM ET-1 Orange Power Head WITH FOOT SWITCH

Exceptions

- 135 2326VOET Power head cover ET-1, orange

#9299AM ET-1 Red Power Head WITH FOOT SWITCH

Exceptions

- 135 2326DRET Power head cover ET-1, red

#9951AM ET-1 Onyx (Black) Power Head WITH FOOT SWITCH

Exceptions

- 110 2931SB Pile adjustment knob, silver
- 135 2326SWET Power head cover ET-1, black

#9981AM ET-1 Graphite Power Head WITH FOOT SWITCH

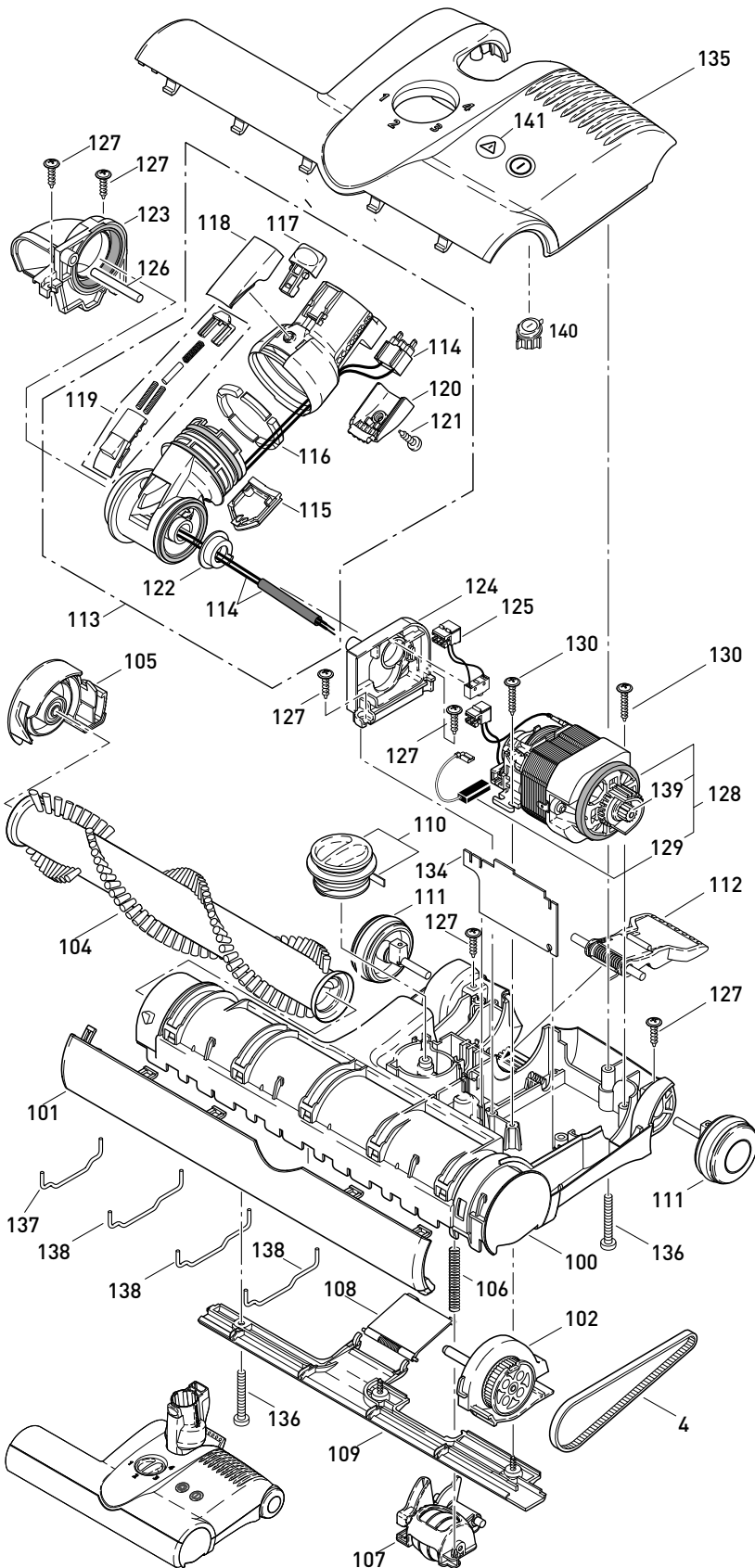
Exceptions

- 110 2931SB Pile adjustment knob, silver
- 135 2326GSET Power head cover ET-1, graphite

ET-2 POWER HEAD **WITHOUT** FOOT SWITCH SCHEMATIC AND PARTS LIST

ET-2 Power Head without Foot Switch

#9251AM ET-2 Onyx (Black)



ET-2: 15 inches

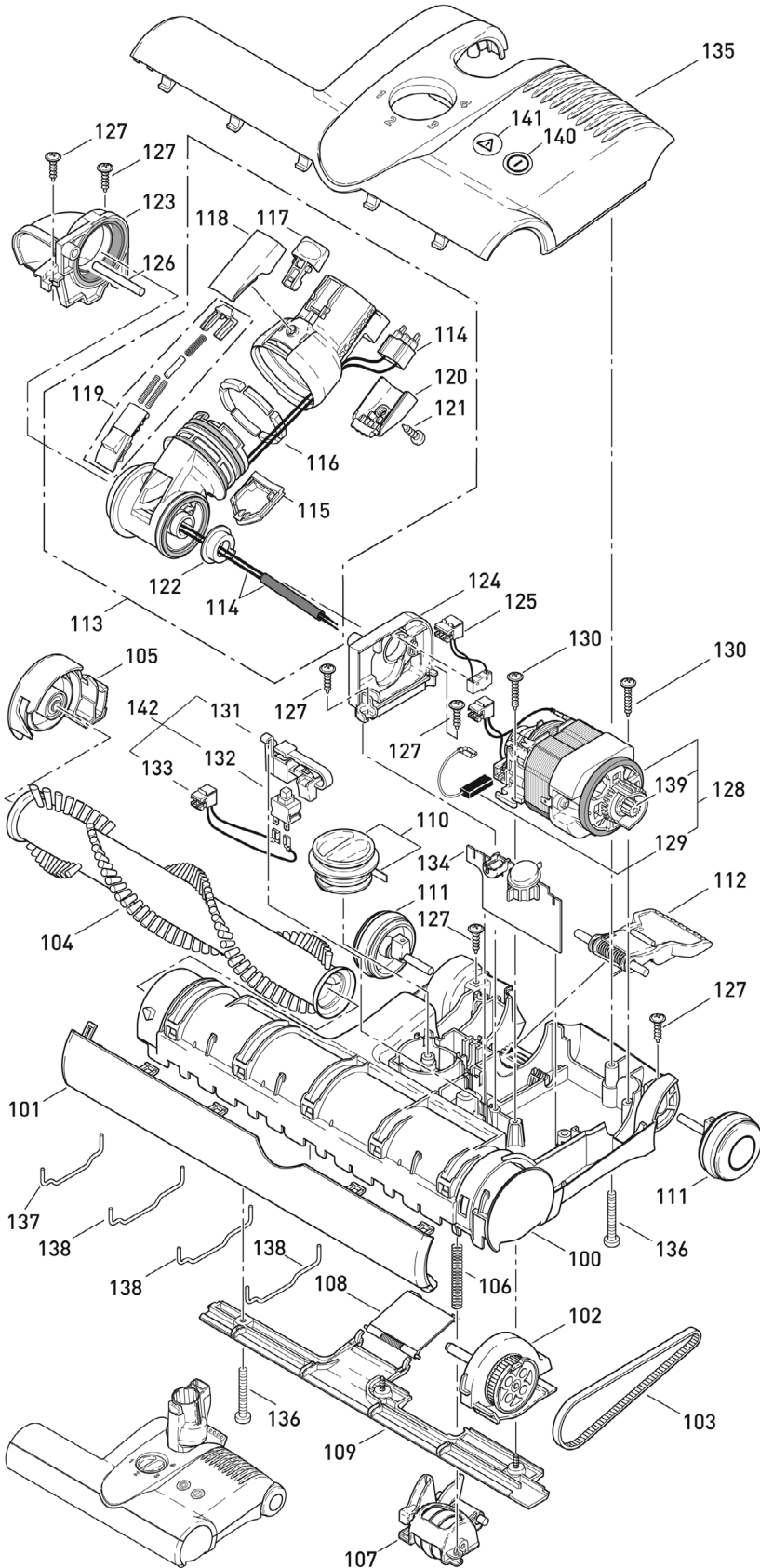
#9251AM ET-2 Onyx (Black) Power Head WITHOUT FOOT SWITCH

Pos.	Part #	Description
100	2325GS	Chassis ET-2
101	2303GS	Bumper, cpl.
102	2314GS	Bearing block, left cpl.
103	2923	Belt 333 3M HTDII-6
104	2838AM	Brush roller, cpl.
105	2313GS	Bearing block, right cpl.
106	2929	Spring
107	2316GS	Pile adjustment assembly, cpl.
108	2909V0	Access door w/axle & spring
109	2305GS	Rear bottom plate, cpl.
110	2931SB	Pile adjustment knob, silver
111	2306GS	Wheel, cpl.
112	29370R	Foot pedal w/axle & spring
113	2307GS	Swivel neck assembly, cpl.
114	0876ER	Wiring for swivel neck
115	2947GS	Cover, TS-neck
116	2950ER	Segments, metal (6 pc. set)
117	6480ER	Release button w/leaf spring
118	2952GS	Button cover
119	2945GS	Swivel neck slide
120	2951GS	Socket cover
121	01027	Screw F 3.9x9.5
122	2954	Swivel neck bearing
123	2311	Swivel neck support, right
124	2312	Swivel neck support, left
125	0880	Wiring swivel neck switch
126	2928	Axle
127	01021	Screw F 3.9x13
128	2974ER	Brush motor, 200W w/pulley (129 & 139)
129	05141S	Carbon brush set
130	01020	Screw F 3.9x21
134	2689ER	Printed circuit board
135	20345SWET	Power head cover ET-2, black
136	0176	Screw AM 4x30
137	5401	Wire tire - outer
138	5402	Wire tire - inner
139	2319	Motor pulley
140	20955	Lens, left, w/o foot switch
141	2956	Brush light lens, right

ET-2 POWER HEAD **WITH** FOOT SWITCH SCHEMATIC AND PARTS LIST

ET-2 Power Head with Foot Switch

- #9259AM ET-2 Arctic White
- #9250AM ET-2 Red
- #9958AM ET-2 Onyx (Black)



ET-2: 15 inches

#9259AM ET-2 White Power Head WITH FOOT SWITCH Exceptions

Pos.	Part #	Description
100	2325GS	Chassis ET-2
101	2303GS	Bumper, cpl.
102	2314GS	Bearing block, left cpl.
103	2923	Belt 333 3M HTDII-6
104	2838AM	Brush roller, cpl.
105	2313GS	Bearing block, right cpl.
106	2929	Spring
107	2316GS	Pile adjustment assembly, cpl.
108	2909VO	Access door w/axle & spring
109	2305GS	Rear bottom plate, cpl.
110	2931GS	Pile adjustment knob, gray black
111	2306GS	Wheel, cpl.
112	2937OR	Foot pedal w/axle & spring
113	2307GS	Swivel neck assembly, cpl.
114	0876ER	Wiring for swivel neck
115	2947GS	Cover, TS-neck
116	2950ER	Segments, metal (6 pc. set)
117	6480ER	Release button w/leaf spring
118	2952GS	Button cover
119	2945GS	Swivel neck slide
120	2951GS	Socket cover
121	01027	Screw F 3.9x9.5
122	2954	Swivel neck bearing
123	2311	Swivel neck support, right
124	2312	Swivel neck support, left
125	0880	Wiring swivel neck switch
126	2928	Axle
127	01021	Screw F 3.9x13
128	2974ER	Brush motor, 200W w/pulley (129 & 139))
129	05141S	Carbon brush set
130	01020	Screw F 3.9x21
131	2958ER	Lever w/leaf spring
132	05114	Single pole switch
133	0881	Wire
134	2689ER	Printed circuit board
135	2341WEET	Power head cover ET-2, white
136	0176	Screw AM 4x30
137	5401	Wire tire - outer
138	5402	Wire tire - inner
139	2319	Motor pulley
140	2957	On/off button/lens, left
141	2956	Brush light lens, right
142	2959ER	Switch assembly cpl. (131-133)

#9250AM ET-2 Red Power Head

WITH FOOT SWITCH Exceptions

- 135 2341DRET Power head cover ET-2, red

#9958AM ET-2 Onyx (Black) Power Head

WITH FOOT SWITCH Exceptions

- 110 2931SB Pile adjustment knob, silver
- 135 2341SWET Power head cover ET-2, black