

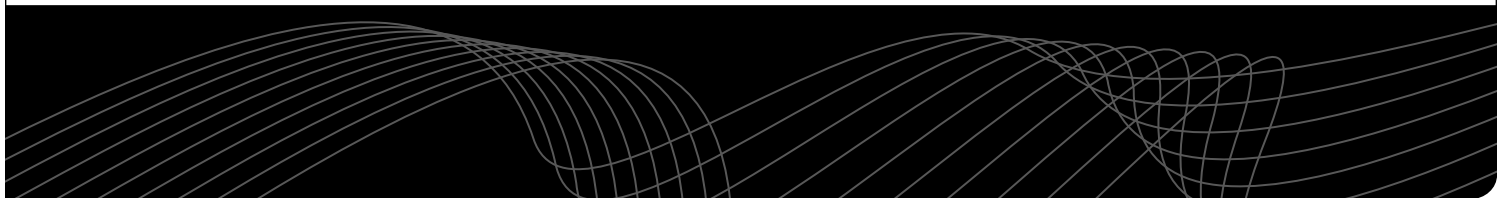


SEBO MECHANICAL

MADE IN GERMANY

# OWNER'S MANUAL

For Household Use Only



# TABLE OF CONTENTS

<b>Technical Details</b> .....	<b>2</b>
<b>How To Contact SEBO</b> .....	<b>2</b>
<b>Important Safety Instructions</b> .....	<b>3</b>
<b>SEBO MECHANICAL Product Features</b> .....	<b>4</b>
Brush Roller Obstruction – Auto Shut-Off .....	4
Bag Full or Clog Warning .....	4
<b>Standard Features of All SEBO Vacuums</b> .....	<b>5</b>
S-Class Filtration .....	5
<b>Optional Attachments, Accessories, Bags &amp; Filters</b> .....	<b>6</b>
<b>Identification of Parts</b> .....	<b>7</b>
Standard Attachments .....	7
<b>Assembly</b> .....	<b>7</b>
<b>Operating Instructions</b> .....	<b>8</b>
Starting the Machine .....	8
Operating Positions .....	8
Using the Cleaning Wand, Hose & Attachments .....	9
The Check Brush Display .....	9
The Brush Height Adjustment Button .....	9
<b>Maintenance</b> .....	<b>10</b>
Changing the Filter Bag .....	10
Changing the Pre-motor Microfilter .....	10
Changing the Exhaust Microfilter .....	10
Changing the Brush Strip .....	10
<b>Clog Removal</b> .....	<b>11</b>
Clogs in the Airflow Pathway .....	11
Clogs in the Attachment Hose .....	11
Clogs in the Cleaning Wand .....	11
Clogs in Entrance to Filter Bag .....	11
Clogs in the Swivel Neck .....	11
<b>Trouble-Shooting Guide</b> .....	<b>12</b>
<b>300   350 MECHANICAL Bag Housing and Handle Schematic and Part Numbers</b> .....	<b>13</b>
<b>300 MECHANICAL Power Head Schematic and Part Numbers</b> .....	<b>14</b>
<b>350 MECHANICAL Power Head Schematic and Part Numbers</b> .....	<b>15</b>

## TECHNICAL DETAILS

Vacuum Motor	1000 Watts	Values determined to EN 60335-2-69:
Suction	225 mbar (2300 mm WS)	Sound pressure level LpA
Air Flow	50 l/s	Uncertainty KpA
Filter Bag	1.4 gal. (5,3 liters), 3-layer	Hand-arm vibration value
Working width	300mm/360mm	Uncertainty K
Brush strip	Replaceable	
Brush drive	Non-slip drive belt	
Cord length	39 feet	
Weight	8.2/8.3/8.7 kg	
Protection	Double insulated	

## HOW TO CONTACT SEBO

### To contact SEBO in the United States of America:

SEBO America, LLC  
 Telephone: (800) 334-6614  
 Fax: (303) 792-9196  
 Website: [www.sebo.us](http://www.sebo.us)

### To contact SEBO in Canada:

SEBO Canada  
 Telephone: (877) 258-5005  
 Fax: (800) 270-4807  
 Website: [www.sebocanada.ca](http://www.sebocanada.ca)

# IMPORTANT SAFETY INSTRUCTIONS



## READ ALL INSTRUCTIONS BEFORE USING THIS MACHINE

### When using an electrical appliance, basic precautions must always be followed.

To reduce the risk of electric shock, this vacuum cleaner has a polarized plug; one blade is wider than the other. This plug will fit in a polarized outlet only one way. If the plug does not fit fully in the outlet, reverse the plug. If it still does not fit, contact a qualified electrician to install the proper outlet. Do not change the plug in any way. Connect only to the outlet type specified on the serial number plate underneath the machine.

### SAVE THESE INSTRUCTIONS.

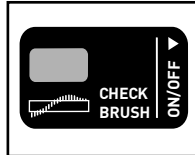
## WARNING: To reduce the risk of fire, electric shock, or injury:

1. Do not leave vacuum while plugged in. Unplug from outlet when not in use and before servicing.
2. Do not use outdoors or on wet surfaces.
3. Do not use near small children or pets. Do not allow to be used as a toy. Use of this product by children should always be supervised by an adult.
4. Use only as described in this manual. Use only manufacturer-recommended attachments.
5. Do not use with a damaged cord or plug. If vacuum is not working as it should, has been dropped, damaged, left outdoors, or dropped into water, contact a SEBO service center.
6. Do not pull or carry by cord, use cord as a handle, close a door on cord, or pull cord around sharp edges or corners. Do not run vacuum over cord. Keep cord away from heated surfaces.
7. Do not unplug by pulling on cord. To unplug, grasp the plug – not the cord.
8. Do not plug in if switch is in the ON position.
9. Do not use outlets above counters to plug in vacuum – damage to items in the surrounding area could occur.
10. Always carry the vacuum over steps and sills.
11. Do not handle plug or vacuum handle with wet hands.
12. Do not put any object into vacuum openings. Do not use machine with any openings blocked. Keep openings free of lint, hair, and anything that may reduce air flow.
13. Do not re-use filter bags or wash the filters.
14. Do not remove any screws from vacuum.
15. Do not vacuum up anything that is burning or smoking, such as cigarettes, matches, or hot ashes.
16. Do not use vacuum without filter bag and/or filters in place.
17. Turn off all machine controls before unplugging.
18. Use extra care when cleaning on stairs.
19. Do not use machine to vacuum up flammable or combustible liquids such as gasoline or use in areas where they may be present.
20. Machines can cause a fire when operated near flammable vapors or materials. Do not operate this vacuum near flammable fluids, dust or vapors.
21. Maintenance and repairs must be done by authorized personnel.
22. Use only original SEBO replacement parts.
23. Do not use vacuum as a step.
24. If vacuum is used on plush carpet or carpet with thick padding, do not leave machine standing in one place with machine turned on.
25. Do not use the operator's handle, which inserts into the top of the bag housing, to carry the machine. Use the carrying handle located on the backside of the machine's bag housing or the front cover.
26. Keep hair, loose clothing, fingers, and all parts of body away from vacuum openings and moving parts. Do not place fingers or other body parts under vacuum unless it is unplugged.
27. Do not place the power head over rug or carpet edges.
28. The vacuum motor has a manual reset thermal protector. The protector is reset by switching off the vacuum. The thermal protector needs some time to cool down after switching off! Check the vacuum for air blockages or mechanical failures before switching on.
29. The brush motor has a manual reset electronic protector. If the brush roller is jammed, the machine will shut down automatically. Turn the machine off and unplug it before removing the obstruction. Once the obstruction is removed you may plug it in and turn on the vacuum.
30. Store the vacuum in a dry place at room temperature. When the vacuum is not in use, you should wrap the cord on the cable hooks.
31. Avoid picking up sharp objects.

# SEBO MECHANICAL PRODUCT FEATURES

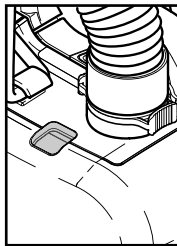
**Designed for Carpets** – The heavy-duty SEBO MECHANICAL 300 and 350, are designed to provide many years of trouble-free operation and feature an aggressive power head with manual brush height adjustment and a convenient instant-use cleaning wand and suction hose. In addition, the vacuums feature a mechanical controller that not only alerts the user to problems such as clogs, a full bag and brush obstructions, but it also automatically shuts off the brush roller when it is jammed to protect the motor and belt from damage. These are perfect vacuums for large carpeted areas.

**Brush Obstruction Indicator & Auto Shut-Off** – If an obstruction becomes jammed in the brush, a warning indicator will quickly show, the brush will immediately stop spinning and the power head will shut off.



This prevents the belt from breaking and protects the motor from damage. The user should switch the vacuum off, unplug the machine and immediately remove the obstruction. If the user restarts the machine without removing the obstruction, the machine will again shut off immediately and the orange "CHECK BRUSH" indicator will show.

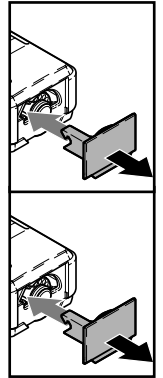
**Bag Full or Clog Indicator** – SEBO MECHANICAL vacuums have a bag full or clog indicator located on top of the bag housing. It changes from white to orange indicating reduced air flow if the filter bag is full or a clog occurs in the air flow pathway of the machine. The machine will continue working but not as powerfully. If the orange indicator reaches the right-hand side of the indicator window, the machine should be switched off and checked for a full bag or clog.



If the orange indicator still shows up after inserting a new bag, check for a clog and remove it. See page 10 for details about maintenance or page 11 for clog removal. NOTE: Vacuuming fine dust may require an earlier filter bag change even though the filter bag is not full; however, loose, fluffy material may over fill the bag.

**Four-level Manual Brush Height Adjustment** – The brush height can be manually adjusted up or down for optimal cleaning effectiveness.

**Easy Brush Strip Removal and Cleaning** – Cleaning hair or debris from the brush strip or replacing it when the bristles are worn is quick and easy. This feature ensures consistently effective brush agitation of the carpet pile. The SEBO 300 and 350 have a brush roller with a replaceable brush strip. This is part of the heavy-duty sealed brushing mechanism, which provides extra rugged durability.



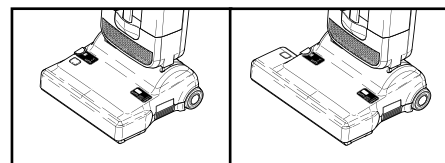
**Thirty-nine-foot Cord** – A 39-foot cord saves time because it minimizes the number of electrical outlets needed during use.

**Durable Heavy-duty Belts** – The reinforced toothed belts do not slip or stretch, resulting in a more efficient use of power, and they should last the life of the machine.

**Instant-use Wand and Suction Hose** – The integrated instant-use wand or suction hose is always ready. Just pull out either tool, or both together, to clean hard-to-reach corners, edges and crevices. The wand and hose together have an eight-foot reach. The suction hose is ideal for cleaning furniture. And an optional nine-foot extension hose is available, which creates a total hose length of 15 feet, perfect for cleaning stairs. Choose from a range of optional attachments that can be fitted to the wand or hose.

**A Flat-to-the-floor, 5.5-inch Profile** – Such a low profile makes cleaning under furniture and beds easy!

**Wide Power Head with One-sided Edge Cleaning** – Side-edge cleaning and two widths to choose from makes these vacuums perfect for smaller to larger homes. The L-shape on the SEBO 350 provides excellent maneuverability around furniture and under cabinets.

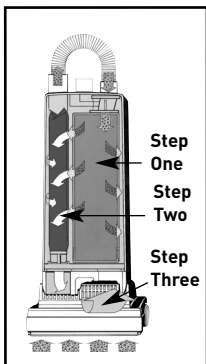


# STANDARD FEATURES OF ALL SEBO VACUUMS

## SEBO's FILTRATION SYSTEM:

### Bagged vs. Bagless . . . Bags are Better! –

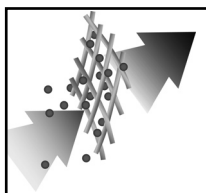
Top-fill, three-layer AeraPure™ Bags are an integral part of SEBO's filtration system because they hold virtually all the dirt captured by the vacuum, which improves the effectiveness and useful life of the microfilters. They also ensure continuously strong suction because dirt enters from the top, deposits at the bottom, accumulates upward, and air exits through the sides, which allows unimpeded airflow as they fill to capacity. And they can be tightly sealed with a hygiene cap when full, so no dust can escape into the air during bag removal and disposal.



In contrast, without bags to hold nearly all the captured dirt, the microfilters on bagless vacuums quickly clog from excessive dirt build-up and must be replaced often, or a loss of suction and cleaning effectiveness will occur. In addition, dust and other allergens become airborne when emptying bagless dirt containers. Lastly, bagless vacuum microfilters are expensive, usually costing more than a multi-year supply of SEBO filter bags.

### S-class, Pre-motor and/or Exhaust Microfilters –

S-class, Pre-motor and Exhaust Microfilters (S="Schwebstoff"= airborne particles) are made from electrostatically charged, micro-fiber material, which attracts and captures dust particles from the airflow of the vacuum before and after it passes over the motor to cool it. Cooling the motor with super-clean air increases motor life and reduces the possibility of maintenance, even after many years of use. Also, the exhaust air is cleaned to the highest level before being emitted from the machine. The S-class Standard requires filters to absorb greater than 99.9% of particles down to 0.3 microns in diameter. For comparison, 100 microns is the diameter of a human hair. Their advantages are a relatively open texture that allows smoother airflow for better suction performance, a longer life expectancy, and they cost less than HEPA filters.



### HEPA, Pre-motor and/or Exhaust Microfilters (Optional) –

HEPA Microfilters ("High Efficiency Particulate Air") remove a minimum of 99.97% of all airborne particulate matter down to 0.3 microns in diameter. Because these filters use small, grid-like structures to capture dust particles, dirt build-up clogs the airflow pathway sooner than what is expected from S-class microfilters. However, SEBO's HEPA microfilters are sold along with three-layer AeraPure™ bags, which provide highly effective filtration before the airflow goes through the HEPA microfilter, greatly increasing life expectancy and reducing the potential of diminished air flow.

**Designed and Manufactured in Germany** – Legendary quality, reliability and performance make SEBO vacuums the first choice of cleaning professionals throughout the world.

**World's Best Pet Vacuums** – Because of superior power-head and brush-roller technology, SEBO vacuums are the world's best for pet hair removal!

**Tightly Sealed Vacuums Ensure Effective Filtration** – Dirty air, which flows through a vacuum, can only be filtered completely if it does not escape into the room through seams or seals in the machine. This is why all SEBO vacuums have tight seals throughout.

Many vacuum companies with high-filtration claims are actually quoting specifications made by the manufacturer of the filter material, as measured in the laboratory, not the filtration effectiveness of the vacuum itself while operating. Whether or not dirty air can escape through leaks in the body of the machine is not considered. The filtration effectiveness of SEBO vacuums is tested while they operate.

**Reliable, Commercial-grade Components** – All SEBO vacuums are constructed with thick, reinforced, ABS plastic, aluminum and metal parts, steel axles and bearings, and high-end, quality motors. Therefore, SEBO users own reliable, long-lasting vacuum cleaners. Competing vacuums are made with thin, flimsy, inexpensive, plastic materials, none of which are reinforced, and typically have useful lifespans of one or two years.

**Rubber Wheels and Soft Bumpers Protect Homes** – Smooth-gliding, rubber wheels protect hard floors and provide exceptional maneuverability. In addition, the bumpers that surround the power heads and the soft AIRBELT bumpers that surround SEBO's canisters protect furniture, walls, and vacuum housings from incurring scuffs and scratches during use.

**Advanced, Brush-Roller Technology** – SEBO's brush rollers are uniquely designed to funnel hair and debris into the power head's airflow channel, which improves vacuum cleaning performance on all flooring surfaces.

**Changing Bags is Easy and Clean** – SEBO filter bags can be changed in just a few seconds, and a hygiene cap keeps dust sealed inside during removal and disposal.

**Save Money! SEBO Vacuums Last for Years and Extend Carpet Life!** – If properly maintained, SEBO vacuums save ordinary, residential users hundreds of dollars, by providing excellent performance for ten to fifteen years or more, and their deep-cleaning, power-brush technology extends the life of carpets. Typical vacuums perform poorly, even when new, and usually do not last beyond two years. So six or seven "disposable vacuums" must be purchased during the average life expectancy of just one SEBO machine.

**Incredible Warranty Coverage** – All SEBO models include a FREE seven-year warranty on the motor and five-years on non-wear parts and labor charges.

# OPTIONAL ATTACHMENTS, ACCESSORIES, BAGS & FILTERS

In addition to the standard on-board tools, a variety of optional attachments are available. The 9' 2" extension hose (extends suction hoses) and the 22" extension wand (extends instant-use wands) are very popular because they create useful tools for cleaning stairs and out-of-reach areas. These two items are sold separately or as part of multiple item attachment kits. Another popular attachment is the hand-held Turbo brush for removing pet hair from upholstery.

SEBO AeraPure™ filter bags can be purchased in boxes of eight and filters are sold separately. SEBO bags, filters and accessories are reasonably priced and widely available.

To create a fresh scent while vacuuming, "SEBO FRESH" is available. To use, deposit a scented stick in the filter bag.

## ATTACHMENTS

Included



Crevice Nozzle  
#1092JE



Dusting Brush  
Horsehair Bristles  
#1387GS



Upholstery  
Nozzle  
#1491JE

Optional  
Three-piece Kit



22" Extension  
Wand\*  
#1084GS



9' 2" Extension  
Hose\*  
#1495AM



Parquet Brush\*  
#1359GS

\*All three items are available individually or as a three-piece attachment kit, #1991AM.

Additional  
Options



Radiator  
Brush  
#1496GS



Flat Upholstery  
Nozzle  
#1090HG



Wall and Floor  
Brush  
#1325GS



Hand-held  
Turbo Brush  
#6179ER



Dusting Brush  
Large Opening  
Nylon Bristle  
#1094GS



Dusting Brush  
Nylon Bristles  
#1329GS



24" Crevice Nozzle #1093JV

## BAGS, FILTERS, ACCESSORIES AND WEAR ITEMS



8 AeraPure™  
Bags  
#5093AM



Exhaust S-class  
Microfilter  
#50170ER

Exhaust HEPA  
Microfilter (optional)  
#50169ER



Pre-motor  
S-class  
Microfilter  
#5036AM



Pre-motor  
Anti-odor  
Microfilter  
(optional)  
#5425AM



Pre-motor  
HEPA  
Microfilter  
(optional)  
#5812ER



300 Brush Strip  
#50415



350 Brush Strip  
#2046

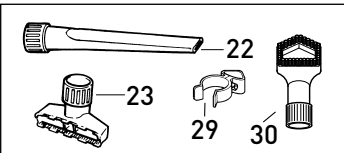


SEBO  
FRESH  
1 Pkg. of 5  
#0496AM

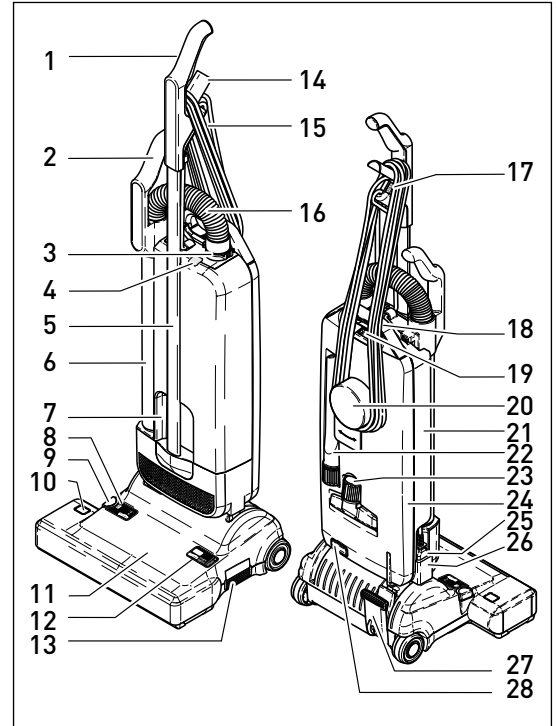
# IDENTIFICATION OF PARTS

- |                                   |                         |
|-----------------------------------|-------------------------|
| 1. Handle grip                    | 21. Bag housing         |
| 2. Cleaning wand handle           | 22. Crevice nozzle      |
| 3. Retaining ring                 | 23. Upholstery nozzle   |
| 4. Bag full indicator             | 24. Bag housing cover   |
| 5. Handle Tube                    | 25. Cable plug          |
| 6. Cleaning wand (active wand)    | 26. Cable plug socket   |
| 7. Recessed carrying grip         | 27. Foot Pedal          |
| 8. Brush height display panel     | 28. Release button      |
| 9. Brush height adjustment button | 29. Dusting brush clamp |
| 10. Brush release button          | 30. Dusting brush       |
| 11. Power head with brush         | 31. Support lever       |
| 12. Display panel                 | 32. Swivel neck         |
| 13. On/Off switch                 | 33. Projection tab      |
| 14. Upper cable (cord) reel       | 34. Cable groove        |
| 15. Cable (cord)                  | 35. Cable hook          |
| 16. Attachment hose               | 36. Cable hook          |
| 17. Cable release button          | 37. Cable cleat         |
| 18. Carrying handle               | 38. Hose release button |
| 19. Cover release button          | 39. Connecting tube     |
| 20. Lower cable (cord) reel       |                         |

## Standard Attachments



- |                         |
|-------------------------|
| 22. Crevice nozzle      |
| 23. Upholstery nozzle   |
| 29. Dusting brush clamp |
| 30. Dusting brush       |



# ASSEMBLY

1. Place the power head (11) on the floor with the support lever (31) and the swivel neck (32) upright (figure 1). Hold the bag housing (21) vertically and place it over the swivel neck (32) and support lever (31). Push firmly and **evenly** down until the release button (28) locks. To dismantle, press the release button (28) and lift the bag housing (21) from the power head (11).

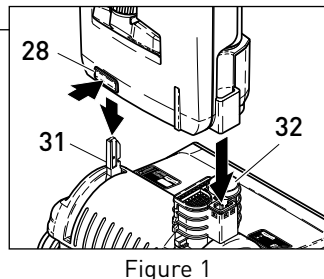


Figure 1

2. Attach the power cable (15) to the machine. Push the rubber cable plug (25) into the cable plug socket (26) on the side of the vacuum (figure 2). Ensure the rubber plug is fully inserted down into the socket. Fit the cable into the groove (34 - figure 3) located in the cleaning wand recess on the front of the machine. Attach to the cable hooks on the top of the bag housing (35 - figure 3) and on the rear of the handle (36 - figure 4). Finally, loop the cable as shown in figure 4 and insert it into the cable cleat (37). You will hear a "click" when the cable is fully inserted. To remove the cable, push the cable release button (17) next to the cable cleat (37) and remove the cable.

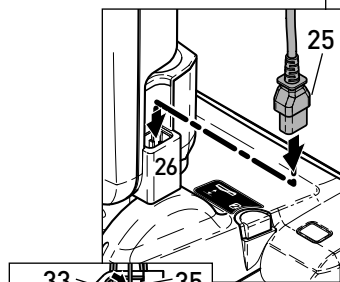


Figure 2

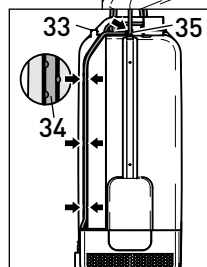


Figure 3

3. Push the black end of the attachment hose (16) into the connecting tube (39) so that it clicks into place. Insert the cleaning wand (6) into the swivel neck opening and seat the handle (2) over the protruding tab (33 - figure 3). To remove the hose, squeeze the retaining ring (3) and pull the hose out of the connecting tube.

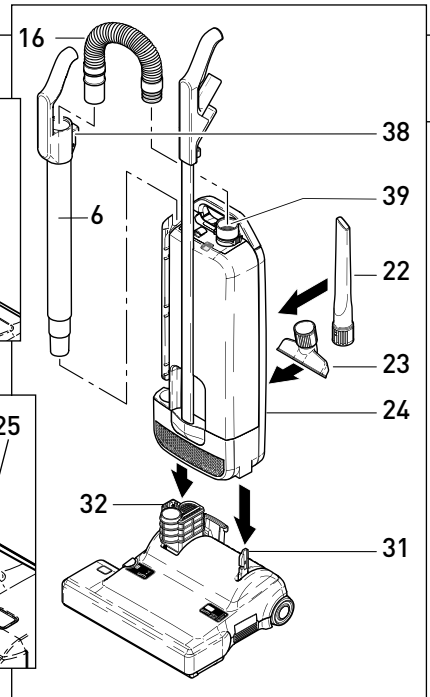


Figure 4

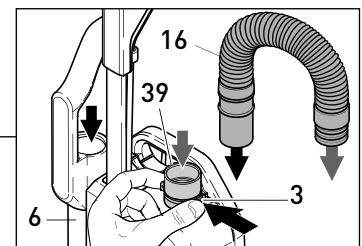
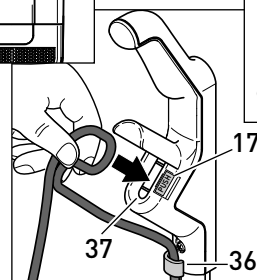


Figure 5



IF THE MACHINE DOES NOT WORK, THEN THE STEPS ABOVE HAVE NOT BEEN EXECUTED CORRECTLY. PLEASE ENSURE THE PARTS ARE PROPERLY CONNECTED, ESPECIALLY THE CABLE PLUG AND SWIVEL NECK.

# OPERATING INSTRUCTIONS

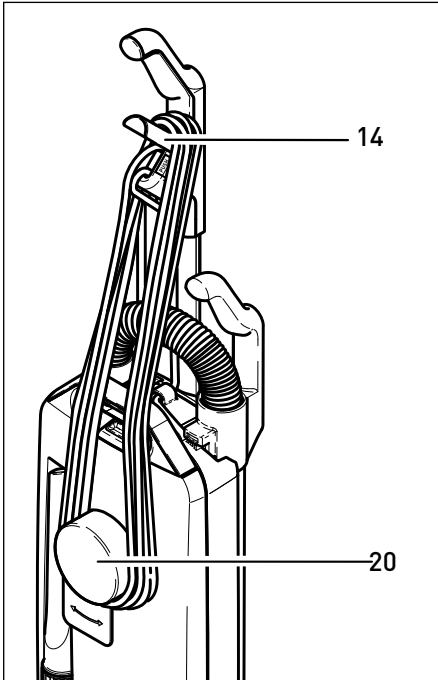


Figure 6

## Starting The Machine - Figures 6 & 7

Before turning on your vacuum cleaner, make sure that the vacuum handle is in its upright locked position and that you have a firm hold on the handle grip to keep the machine from moving forward.

1. Turn the quick-release lower cable reel (20) to the up position by moving it to the left or right (figure 6).
2. Release the power cord plug from the power cord and lift the cord off of the upper cable reel (14).
3. With the orange on/off switch (13) in the OFF position (figure 7), plug the polarized power cord into a 120 volt outlet located near the floor.
4. Turn the machine on by gently tapping the on/off switch (13) with your foot or hand. To switch the vacuum off, tap it again, and the switch will pop out to the off position.

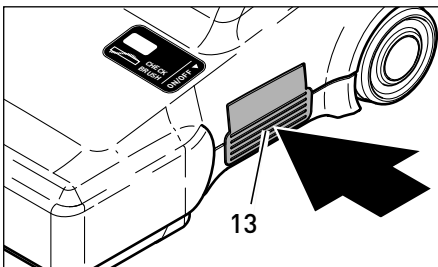


Figure 7

## Operating Positions - Figure 8

5. The foot pedal latch (40) locks the machine in the upright position. To release the vacuum from the upright locked position, press down on the foot pedal (27) and lower the handle into the normal operating position.

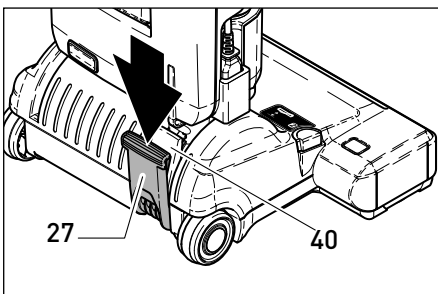


Figure 8

**WARNING!** The quality, condition, coating, texture, age and manufacturing technique of all floor surfaces vary. Therefore, upright vacuums with rotating brushes, including your SEBO, may damage some floor coverings or surfaces. Some types of high-gloss hardwood floors, cushion vinyl, berber carpets, long shag, and delicate or hand-woven carpets are particularly vulnerable to damage by rotating brushes. When possible, consult the materials supplied by your floor's manufacturer for information on proper upkeep and cleaning. **To ensure that your new SEBO vacuum cleaner is compatible with your floor, please test the vacuum cleaner on each type of flooring surface in a small inconspicuous area to determine if any damage occurs. If damage occurs, stop using the vacuum cleaner immediately!**

**Care must be taken to ensure that the bottom of the machine does not contact the floor.**

If this happens, damage to the floor could occur.

**If damage occurs, stop using the vacuum cleaner immediately!**



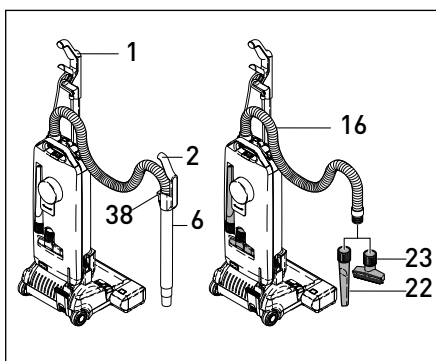


Figure 9

Figure 10

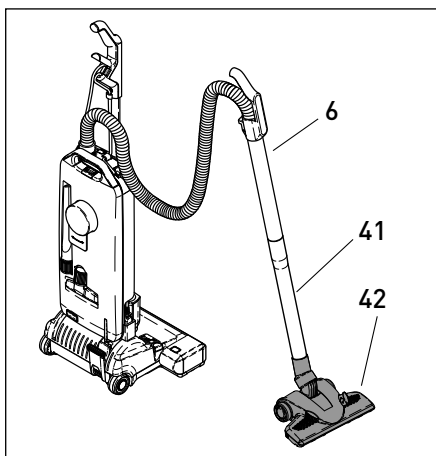


Figure 11

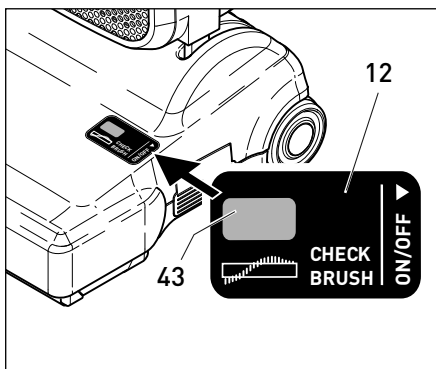


Figure 12

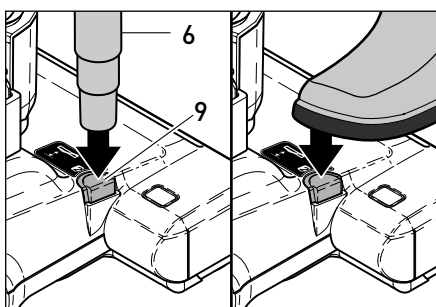


Figure 13

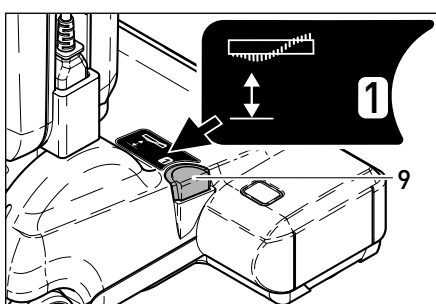


Figure 14

## Using the Cleaning Wand, Hose & Attachments - Figures 9, 10 & 11

The cleaning wand (6) is useful for vacuuming corners and hard-to-reach areas. The handle grip (1) should be in the upright, locked position **(as shown in figure 9)**. Grip the cleaning wand handle (2), pull it up and away from the machine and stretch out the hose (16) until it locks to the back of the tube (this locking action will prevent the hose from retracting back into the cleaning wand while it is in use). Various attachments may be inserted onto the end of the tube. After use, remove attachment and re-insert the cleaning wand into the back of the machine. **Be sure that the cleaning wand handle (2) is inserted over the protruding tab (see #33, page 7)**. If the cleaning wand handle is properly seated over the protruding tab, the hose will automatically retract and you may resume vacuuming. There is no need to turn off the vacuum while switching from upright vacuuming to using the cleaning wand or hose.

To use the hose without the cleaning wand **(as shown in figure 10)**, pull the hose out of the cleaning wand while the tube is still attached to the machine and **securely seated over the protruding tab (33)**. Insert an attachment tool, if desired, onto the end of the flexible hose. You may also release the hose while the cleaning wand is disengaged from the machine by pressing the hose release button (38) at the base of the handle (2).

While using attachment tools, you may keep the brush roller off the carpet by placing the handle (1) in its upright locked position and lowering the handle with one hand to raise the brush roller off of the floor. Operate attachment accessories with the other hand. Or, with the handle in the upright locked position, the machine may be tipped backward so that it rests on the back side of the bag housing (21), and the power head is locked in a perpendicular position to the floor. Ensure that no children or pets can come into contact with the spinning brush roller.

To vacuum walls, under beds, or higher-reach areas, etc., the SEBO 300 and 350 vacuums can be fitted with an additional straight tube (41) and the Kombi nozzle (42), the wall and floor brush or parquet brush (see optional attachments on page 6). The machine will then perform as a canister vacuum **(as shown in figure 11)**.

## The Check Brush Display - Figure 12

If the brush is jammed or overloaded, the machine will automatically switch off and the orange indicator (43) will show on the Check Brush display (12). If this occurs, unplug the machine and clear the obstruction.

## The Brush Height Adjustment Button - Figures 13 & 14

The brush height adjustment button (9) has 4 brush height settings. Setting 1 is the lowest brush setting and setting 4 is the highest brush setting. When starting the vacuum, always start with the button set at 4, then lower button settings until the brush reaches the proper height.

The brush height adjustment can be changed by foot or with the cleaning wand. To use the cleaning wand, put the machine into the upright position, then lift the tube from the machine. The end of the cleaning wand (6) fits into the groove of the brush height adjustment button (9).

# MAINTENANCE

**⚠ Always unplug vacuum from outlet before dismantling any part of the machine!**

## Changing the Filter Bag - Figures 15-17

When the “bag full” warning indicator (4 - figure 15) turns orange, and there is not a clog, change the filter bag. To remove the filter bag, push the cover release button (19 - figure 16) and lift the cover (24) up to remove. Push the lever over to the right (44 - figure 17). Squeeze the clamps (45) on both sides of the filter bag sealing plate (46), slide the plate from the holder and push the cap on to seal the bag. Slide the sealing plate (46) of a new bag into the holder and push it in until it locks into place. You may find it convenient to store the bag cap inside the bag housing below the filter bag. Make sure the bag is tucked in at the bottom. To replace the cover, insert the projections on each side of the bottom of the cover into the corresponding slots at the base of the housing. Close the cover ensuring that the cover “clicks” shut.

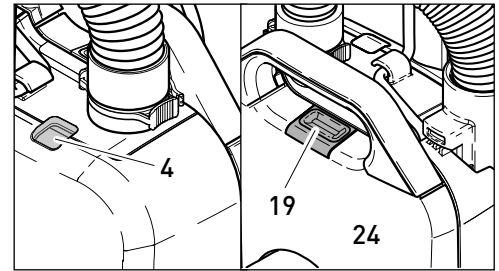


Figure 15

Figure 16



AeraPure™ Filter Bag  
Part# 5093AM

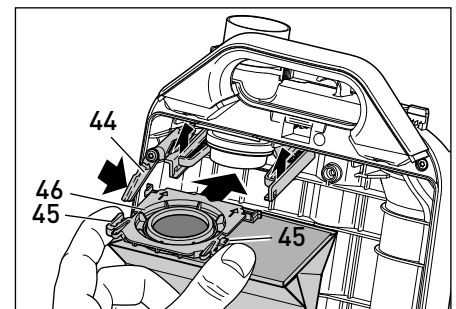


Figure 17

## Changing the Pre-motor Microfilter - Figure 18

The pre-motor microfilter needs to be changed when it becomes extremely dirty or clogged with dust, or after approximately 20 filter bags have been used. To change the microfilter, remove the bag housing cover (24) by pushing the cover release button (19 - figure 16) and lifting the cover up and out. Grasp the loop (47 - figure 18) at the bottom of the filter and slide the filter out. To replace, lift the metal bar (48 - figure 18 inset) and slide the new filter in using the tracks as guides. Replace the cover and snap it in place.



Pre-motor  
Microfilter  
Part# 5036ER

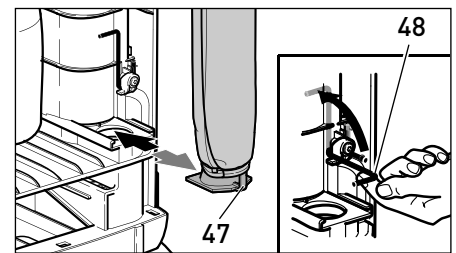
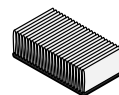


Figure 18

## Changing the Exhaust Microfilter - Figures 19 & 20

After 20 bags have been used, change the exhaust filter. To change the exhaust filter, remove the bag housing cover (24) by pressing the cover release button (19) and lifting the cover up and out. Grasp the handle on the orange filter holder (49 - figure 19) and pull it out. Pull the filter out of the holder. Insert the new filter rubber-gasket-side-down (50 - figure 20) into the holder and reinsert the holder. Replace the bag housing cover and snap it in place.



Exhaust Microfilter  
Part# 50170ER

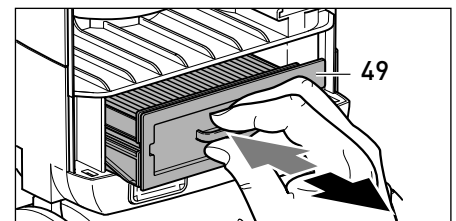


Figure 19



Brush Strip for SEB0 300  
Part# 50415  
Brush Strip for SEB0 350  
Part# 2046

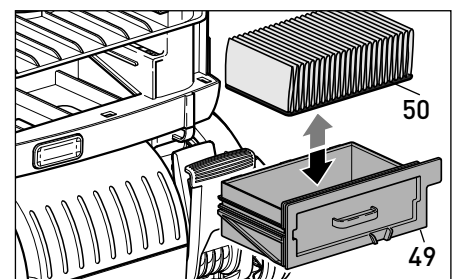


Figure 20

## Changing the Brush Strip - Figures 21-23

To replace the brush strip, push the brush release button (10), remove the side plate (51 - figure 21), turn the brush roller until the end of the brush strip can be accessed at the notch (52 - figure 22). Grasp the brush strip (53) from the underside of the power head and push it out through the notch far enough to be grasped and pulled out. Insert the new brush strip and press the side plate (51) back into place, making sure that the plate is firmly seated.

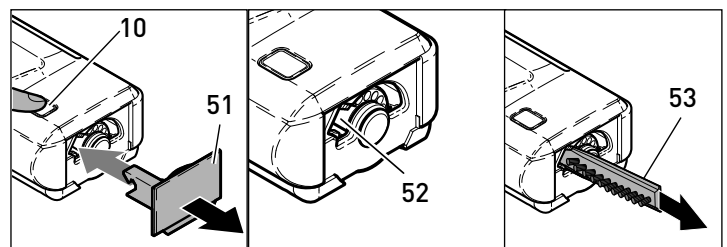


Figure 21

Figure 22

Figure 23

# CLOG REMOVAL

 **Always unplug vacuum from outlet before removing any clogs!**

## Clogs in the Airflow Pathway - Figure 24

Most clogs can be removed by accessing the airflow pathway via the orange colored access door (54) located on the underside of the power head. However, other clogs may only be removed by accessing the airflow pathway by disassembling the machine in the opposite sequence of the machine's original assembly (see assembly, page 7).

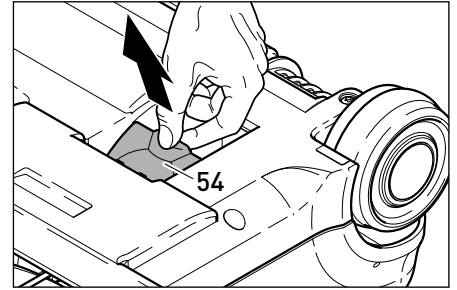


Figure 24

## Clogs in the Attachment Hose - Figure 25

Blockages in the hose can be cleared by removing the attachment hose (16) from the machine by squeezing the retaining ring (3) and inserting the opposite end of the hose in the connecting tube (39). Hold the hose upright with one hand blocking the top end and switch on the machine. If necessary, quickly lift your hand on and off the end of the hose. If this procedure does not clear the clog, a straight wire can be inserted into the hose to push out the clog. Take care not to puncture the hose with the wire.

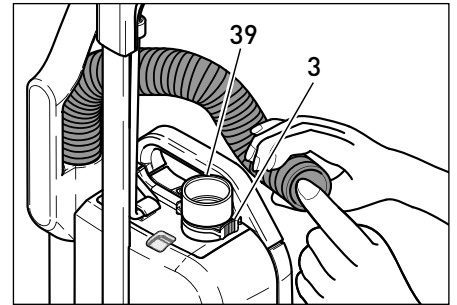


Figure 25

## Clogs in the Cleaning Wand - Figure 26

Remove attachment hose (16) from the cleaning wand (6) by pressing the hose release button (38). Then, grip cleaning wand handle (2) and remove tube from the machine. A straight wire can be inserted into the tube to push out the clog.

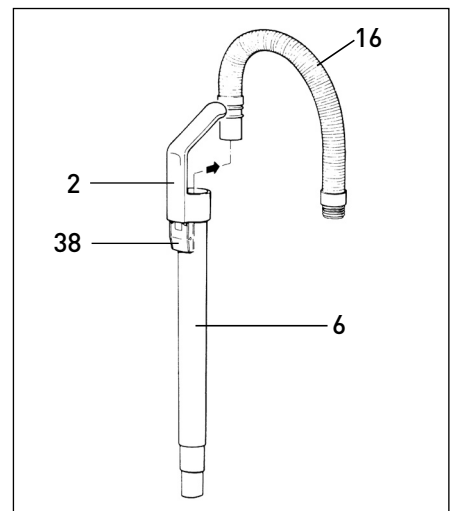


Figure 26

## Clogs in Entrance to Filter Bag - Figure 27

Remove the attachment hose (16) from vacuum cleaner (see figure 26) and remove the bag housing cover (24). Clean out the connecting tube and/or entrance to bag (55).

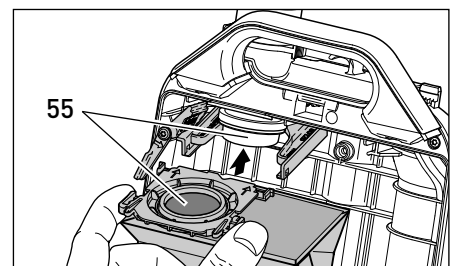


Figure 27

## Clogs in the Swivel Neck - Figure 28

Remove the bag housing from the power head by pressing the release button (28). Lift upward firmly and evenly to properly remove the bag housing. Then, release the foot pedal (27), lower the swivel neck (32) and clean out the pathway.

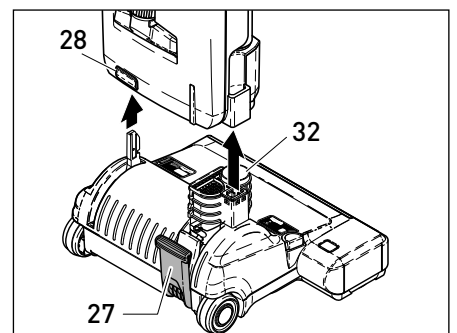


Figure 28

# TROUBLE-SHOOTING GUIDE

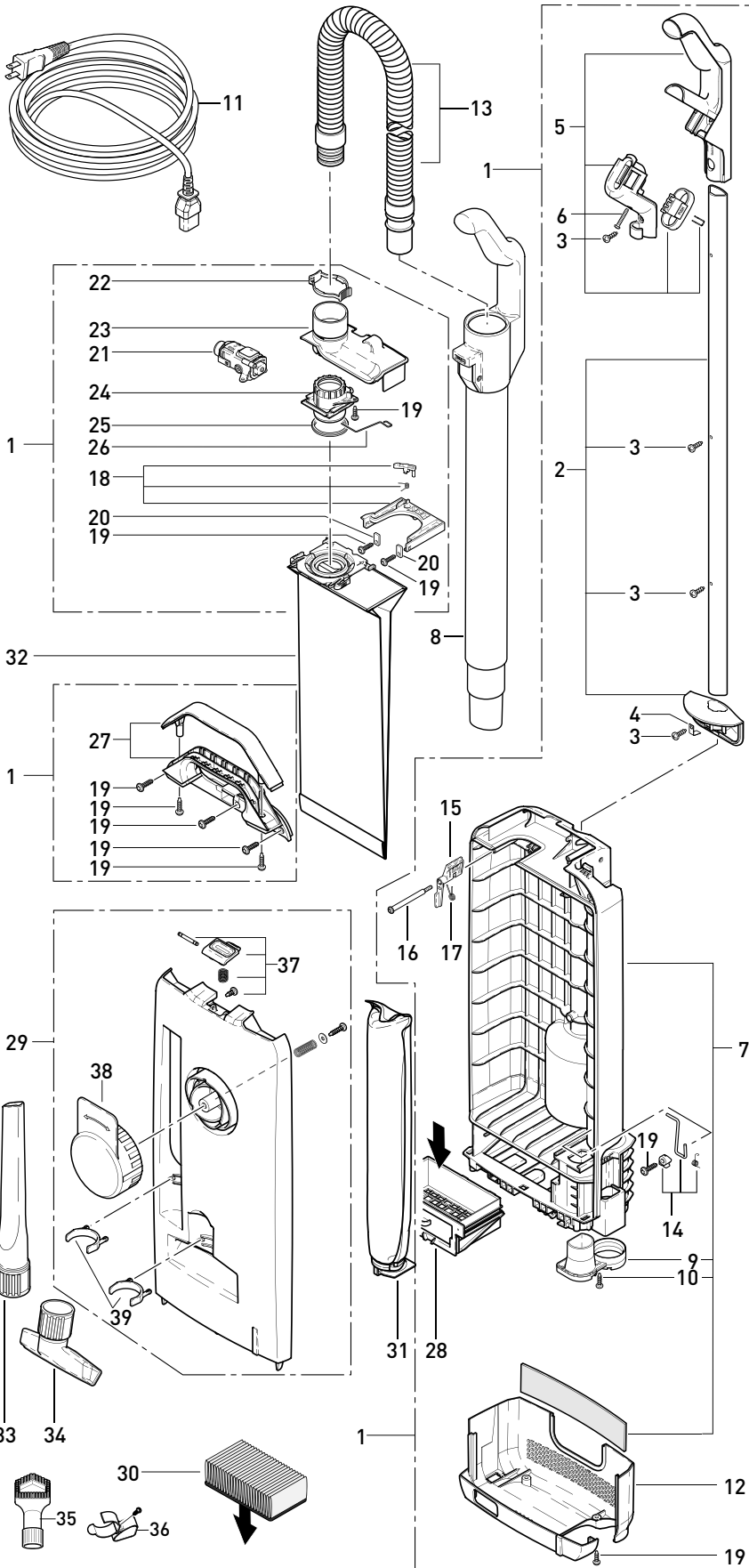


**Always unplug vacuum from outlet before dismantling any part of the machine!**

<b>PROBLEM</b>	<b>REASON</b>	<b>SOLUTION</b>
<b>Does not turn on or machine shuts off intermittently</b>	1. Cable plug not fully inserted into the cable plug socket, causing a faulty connection.	1. Push cable plug down into the socket firmly. See page 7.
	2. Not plugged into good outlet.	2. Use another outlet.
	3. Cable worn.	3. Replace cable.
	4. Bag housing (21) not seated fully into proper "locked" position on top of power head.	4. Ensure that the release button (28) is in locked position. See page 7.
<b>Orange bag full or clog indicator showing (see page 4)</b>	1. Filter bag full.	1. Replace bag. See page 10.
	2. Clog in airflow pathway, attachment hose, cleaning wand, swivel neck or entrance to filter bag.	2. See Clog Removal on page 11.
	3. Pre-motor microfilter dirty.	3. Replace filter. See page 10.
<b>Orange Check Brush indicator showing &amp; machine shuts off (see page 4)</b>	1. Brush jammed or clogged.	1. Clear jam. See page 11.
	2. Brush is too low for the surface being vacuumed.	2. Raise the brush.
<b>Does not pick up</b>	1. Cleaning wand not correctly inserted.	1. Reinsert cleaning wand, making sure lower end of tube is in the lower hole and handle is properly seated over the protruding tab (33).
	2. Front cover not closed.	2. See below.
<b>Front bag door won't fully close</b>	1. Cover not fully closed.	1. Reinsert bag. Lock the cover down firmly.
	2. Bag not inserted properly.	2. Reinsert bag. See page 10.
	3. Pre-motor microfilter or exhaust filter not properly inserted.	3. Reinsert filter making sure filter is properly seated and cover is fully closed. See page 10.
<b>Hose doesn't retract after cleaning wand is inserted</b>	1. Cleaning wand not properly inserted.	1. Reinsert making sure top of handle is pointing back and tube is fully seated on the protruding tab (33) on top of the bag housing. See page 7.

# 300 | 350 MECHANICAL SCHEMATIC AND PARTS LIST

#91303AM 300 MECHANICAL - Dark Gray/Light Gray  
 #91313AM 350 MECHANICAL - Dark Gray/Light Gray



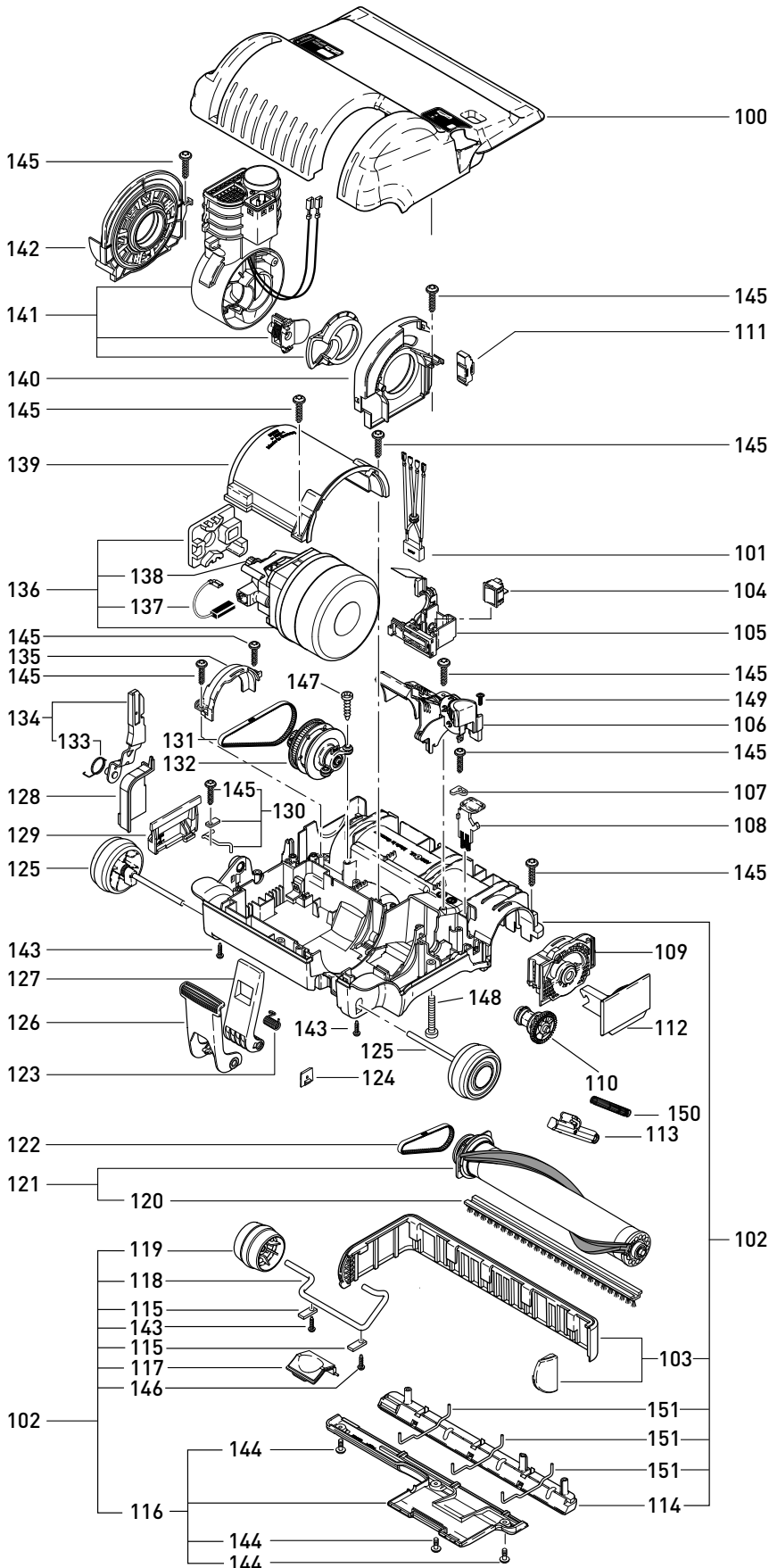
## Bag Housing and Handle

#91303AM 300 MECHANICAL, #91313AM 350 MECHANICAL  
 Dark Gray/Light Gray Machines

Pos.	Part #	Description
1	50100SE	Bag housing cpl.
2	50145SE	Handle tube incl. tube cover
3	0127	Screw M4 x 10k, tap-tite
4	50147ER	Clamp
5	50214HGER	Handle cpl.
6	0104	Screw C3.9 x 25 DIN 7981
7	50200GS	Bag housing
8	50165HG	Cleaning wand
9	50105HG	Connection tube
10	0107	Screw C2.9 x 13
11	501843	Cable w/US-plug, gray black, 13m
12	50118HG	Bag housing bumper base
13	5040SB	Hose cpl., silver
14	50205ER	Filter safety catch cpl.
15	50122OR	Filter bag lever
16	50123ER	Axle
17	50124ER	Return spring
18	50125ER	Bag holder
19	01036	Screw 4 x 14
20	2014	Axle clamp
21	50209ER	Filter indicator
22	5424GS1	Retaining ring
23	50130HG	Recessed grip
24	50131HG	Fitting
25	5289	Seal
26	50142ER	Anti-static wire
27	50143GSER	Carry handle
28	50216OR	Box for exhaust filter
29	50215GS	Back cover
30	50170ER	Exhaust microfilter
	50169ER	Optional HEPA exhaust microfilter
31	5036AM	Pre-motor microfilter
32	5093AM	AeraPure™ filter bag
33	1092JE	Crevice nozzle, light gray
34	1491JE	Upholstery nozzle
35	1387GS	Dusting brush
36	1081GS	Mounting clip w/screw for Mechanical
37	50221HGER	Locking latch cover, light gray
38	50220HGER	Cable hook EV, light gray
39	1823HG	Attachment clip, light gray

# 300 MECHANICAL SCHEMATIC AND PARTS LIST

#91303AM 300 MECHANICAL - Dark Gray/Light Gray



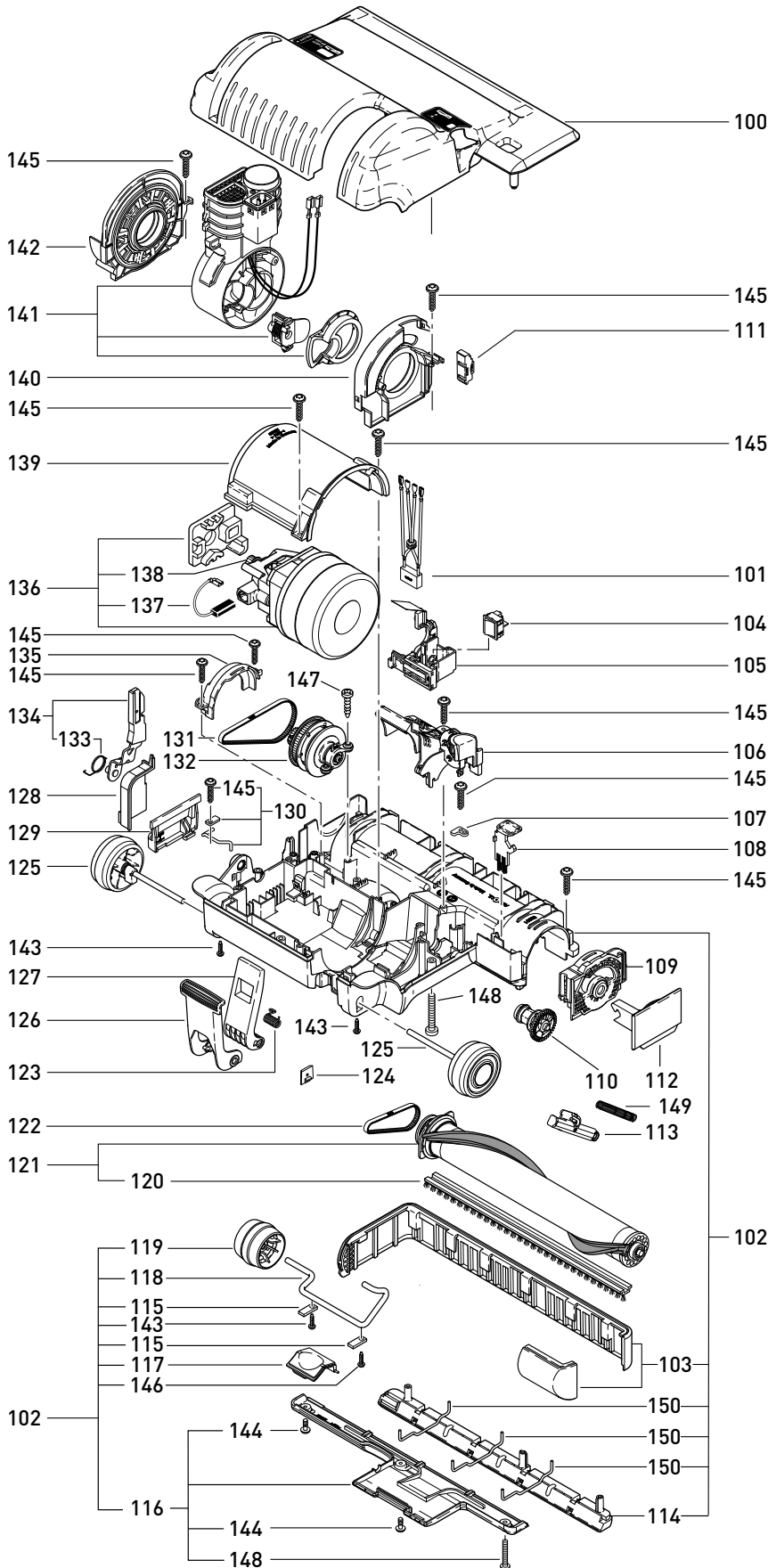
## Power Head

#91303AM 300 MECHANICAL Dark Gray/Light Gray

Pos.	Part #	Description
100	50401GSAM	Power head cover 300
101	1013ER	Suppressor kit
102	50414HGER	Chassis 300
103	50313HG	Bumper
104	05112WI	Switch cpl.
105	50443UL	Switching unit
106	50308ER	Air channel cover
107	2856	Clamp
108	50403HGER	Brush roller release 300
109	50356HG	Bearing block r.h.
110	50367HG	Position cams
111	2833	Thrust member
112	50352HG	Brush strip cover
113	2834	Thrust member
114	50404HGER	Front bottom plate
115	2849	Axle clamp
116	50310HGER	Rear bottom plate 300
117	2868OR	Access door
118	2861	Pile adjustment axle
119	5174HG	Pile adjustment wheel
120	50415	Brush strip
121	50470ER	Brush roller 300
122	5110	Belt 219 3M HTDII-6
123	50332ER	Spring
124	2869HG	Rubbing plate
125	50348HGER	Axle w/wheel
126	50330OR	Foot pedal
127	50331HG	Catch pedal
128	50334SW	Motor pulley cover
129	50306OR	Power switch button
130	50371ER	Switch rod
131	5379	Belt 312 3M HTDII-6
132	50445ER	Sensor
133	5107-1	Support spring
134	50438HGER	Support lever w/spring
135	50355HG	Bearing block l.h.
136	50465ER	Motor 1000 W/120V
137	05117S	Carbon brush set (100/120V)
138	5117/1	Sensor pulley
139	50441UL	Motor cover
140	50440ER	Swivel neck support r.h.
141	50448HG	Swivel neck cpl. 2-wire
142	50439ER	Swivel neck support l.h.
143	0102	Screw F 3.9 x 13
144	0197	Screw M 4 x 12 Z1
145	01016	Screw STS 4 x 16 T20
146	01010	Screw AM 4 x 16 DIN 7985
147	0104	Screw C 3.9 x 25 DIN 7981
148	0176	Screw AM 4 x 30
149	01042	Screw 4 x 10
150	2867	Spring
151	20115	Wire tie

# 350 MECHANICAL SCHEMATIC AND PARTS LIST

#91313AM 350 MECHANICAL - Dark Gray/Light Gray



## Power Head

#91313AM 350 MECHANICAL Dark Gray/Light Gray

Pos.	Part #	Description
100	50431GSAM	Power head cover 350
101	1013ER	Suppressor kit
102	50444HGER	Chassis 350
103	50314HG	Bumper
104	05112WI	Switch cpl.
105	50443UL	Switching unit
106	50308ER	Air channel cover
107	2856	Clamp
108	50433HGER	Brush roller release 350
109	50356HG	Bearing block r.h.
110	50367HG	Position cams
111	2833	Thrust member
112	50352HG	Brush strip cover
113	2834	Thrust member
114	50434HGER	Front bottom plate 350
115	2849	Axle clamp
116	50311HGER	Rear bottom plate 350
117	2868OR	Access door
118	2861	Pile adjustment axle
119	5174HG	Pile adjustment wheel
120	2046	Brush strip
121	50471ER	Brush roller 350
122	5110	Belt 219 3M HTDII-6
123	50332ER	Spring
124	2869HG	Rubbing plate
125	50348HGER	Axle w/wheel
126	50330OR	Foot pedal
127	50331HG	Catch pedal
128	50334SW	Motor pulley cover
129	50306OR	Power switch button
130	50371ER	Switch rod
131	5379	Belt 312 3M HTDII-6
132	50445ER	Sensor
133	5107-1	Support spring
134	50438HGER	Support lever w/spring
135	50355HG	Bearing block l.h.
136	50465ER	Motor 1000 W/120V
137	05117S	Carbon brush set (100/120V)
138	5117/1	Sensor pulley
139	50441UL	Motor cover
140	50440ER	Swivel neck support r.h.
141	50448HG	Swivel neck cpl. 2-wire
142	50439ER	Swivel neck support l.h.
143	0102	Screw F 3.9 x 13
144	0197	Screw M 4 x 12 Z1
145	01016	Screw STS 4 x 16 T20
146	01010	Screw AM 4 x 16 DIN 7985
147	0104	Screw C 3.9 x 25 DIN 7981
148	0176	Screw AM 4 x 30
149	2867	Spring
150	20115	Wire tie

# NOTES