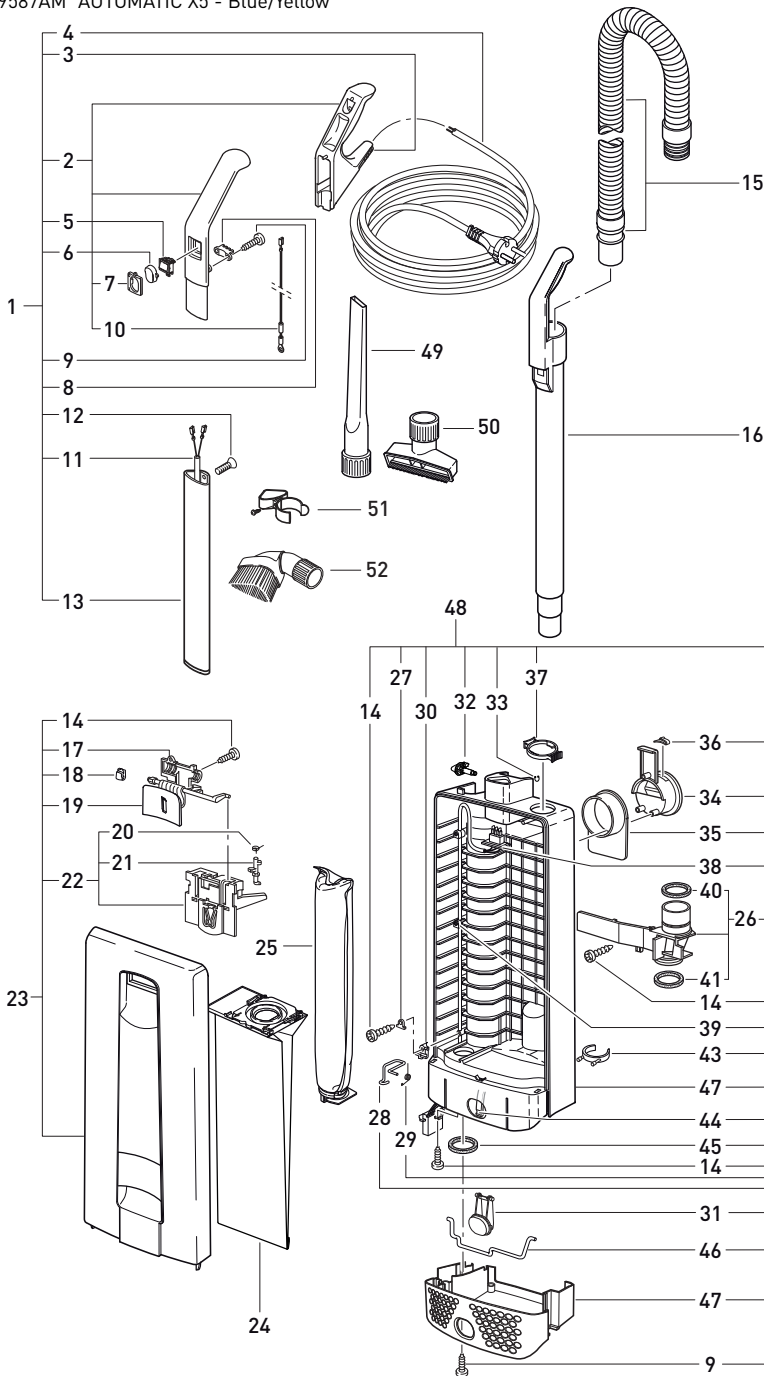


AUTOMATIC X4 | X5 SCHEMATIC AND PARTS LIST

#9570AM AUTOMATIC X4 - Arctic White/Gray #90504AM AUTOMATIC X4 BOOST - Graphite
 #9501AM AUTOMATIC X4 - Onyx/Silver #90505AM AUTOMATIC X4 BOOST - Dark Red
 #9577AM AUTOMATIC X4 - Blue/Yellow #90506AM AUTOMATIC X4 BOOST - Arctic White
 #9558AM AUTOMATIC X4 - Red/Gray
 #9580AM AUTOMATIC X5 - White/Gray
 #9587AM AUTOMATIC X5 - Blue/Yellow



#90504AM AUTOMATIC X4 BOOST Graphite Machine Exceptions

Pos.	Part #	Description
1	5644AM	Handle complete, gray black
2	5297GSSE	Handle grip
6	5160SB	Switch cap, silver
17	5707GS	Cover, gray black
19	5706SB	Cover release, silver
23	50747SE	Front cover complete, gray black/silver
31	5722SB	Bag housing locking catch, silver
32	1859SB	Handle catch, silver
34	5721GS	Carrying handle, gray black
35	5703GS	Cable hook, gray black
37	5424SB1	Retaining ring, silver
47	5702GS	Bag housing bumper base, gray black
48	5763GS	Bag housing cpl., gray black

#9558AM AUTOMATIC X4, #90505AM AUTOMATIC X4 BOOST Dark Red Machine Exceptions

Pos.	Part #	Description
1	5645AM	Handle complete, red/gray black
6	5160DR	Switch cap, red
17	5707DR	Cover, red
23	50751SE	Front cover complete, red/gray black
34	5721DR	Carrying handle, red
35	5703ER	Cable hook, red
47	5702GS	Bag housing bumper, gray black
48	5755DR	Bag housing complete, red/gray black

Bag Housing and Handle

#9570AM AUTOMATIC X4, #9580AM AUTOMATIC X5, #90506AM AUTOMATIC X4 BOOST Arctic White/Gray Machines

Pos.	Part #	Description	
1	5642AM	Handle complete, gray black/white (incl. pos. 2 -13)	
2	5297GSAM	Handle grip (incl. pos. 3, 7+10)	
3	5359GS1	Grommet	
4	5450DG	Power supply cord	
5	05113	Switch w/screws	
6	5160WE	Switch cap, arctic white	
7	5161GS	Switch cap holder	
8	5162	Cable clamp	
9	0103	Screw C 3.9x16 DIN 7981	
10	5253UL	Wire-antistatic	
11	5298ER	Handle cable	
12	0129	Screw M 4x12 DIN 966	
13	5187	Handle tube	
14	0102	Screw F 3.9x13 DIN 7981	
15	5040SB	Hose, cpl.	
16	5045GS	Cleaning wand	
17	5707WE	Cover, arctic white	
18	5319	Bag holder spring	
19	5706GS	Cover release, gray black	
20	5091	Safety catch spring	
21	5360	Safety catch	
22	5324	Bag holder cpl. (incl. pos. 20+21)	
23	50750SE	Front cover complete (14, 17-22), arctic white/gray black	
	5454	Front cover seal	
24	5093AM	AeraPure™ filter bag pack	
25	5036AM	Pre-motor microfilter	
26	5380GS	Internal cover cpl. (incl. pos. 40+41)	
27	1073	Clamp	
28	5208	Filter safety catch	
29	5210	Return spring	
30	5164	Cable clamp	
31	5722GS	Bag housing locking catch, gray black	
32	1859GS	Handle catch, gray black	
33	0161	Clip 4, DIN 6799	
34	5721WE	Carrying handle, white	
35	5703WE	Cable hook, white	
36	5146	Stop spring	
37	5424GS1	Retaining ring	
38	5299ER	Internal cable	
39	5266	Cable clamp	
40	5842	Seal	
41	5289	Seal	
43	1823GS	Attachment clip, gray black	
44	5084	Spring for locking rod	
45	5163	Seal	
46	5083	Locking rod	
47	5702WE	Bag housing bumper base, white	
48	5755WE	Bag housing, cpl., arctic white/gray black (incl. pos. 9, 14, 26-47)	
	49	1092GS	Crevice nozzle
	50	1491GS	Upholstery nozzle
	51	5460GS	Mounting clip with screw
	52	1387GS	Dusting brush

#9501AM AUTOMATIC X4 Onyx/Silver Machine Exceptions

Pos.	Part #	Description
1	5640AM	Handle complete, black/silver
2	5295AM	Handle grip
3	5359SW1	Grommet
6	5160SB	Switch cap, silver
7	5161SW	Switch cap holder, black
16	5045SW	Cleaning wand, black
17	5707SW	Cover, black
19	5706SB	Cover release, silver
23	5774SE	Front cover complete, black/silver
26	5380SW	Internal cover
31	5722SB	Bag housing locking catch, silver
32	1859SB	Handle catch, silver
34	5721SW	Carrying handle, black
35	5703SW	Cable hook, black
37	5424SB1	Retaining ring
43	1823SW	Attachment clip, black
47	5702SW	Bag housing bumper base, black
48	5763SW	Bag housing complete, black
49	1092SW	Crevice nozzle, black
50	1491SW	Upholstery nozzle, black

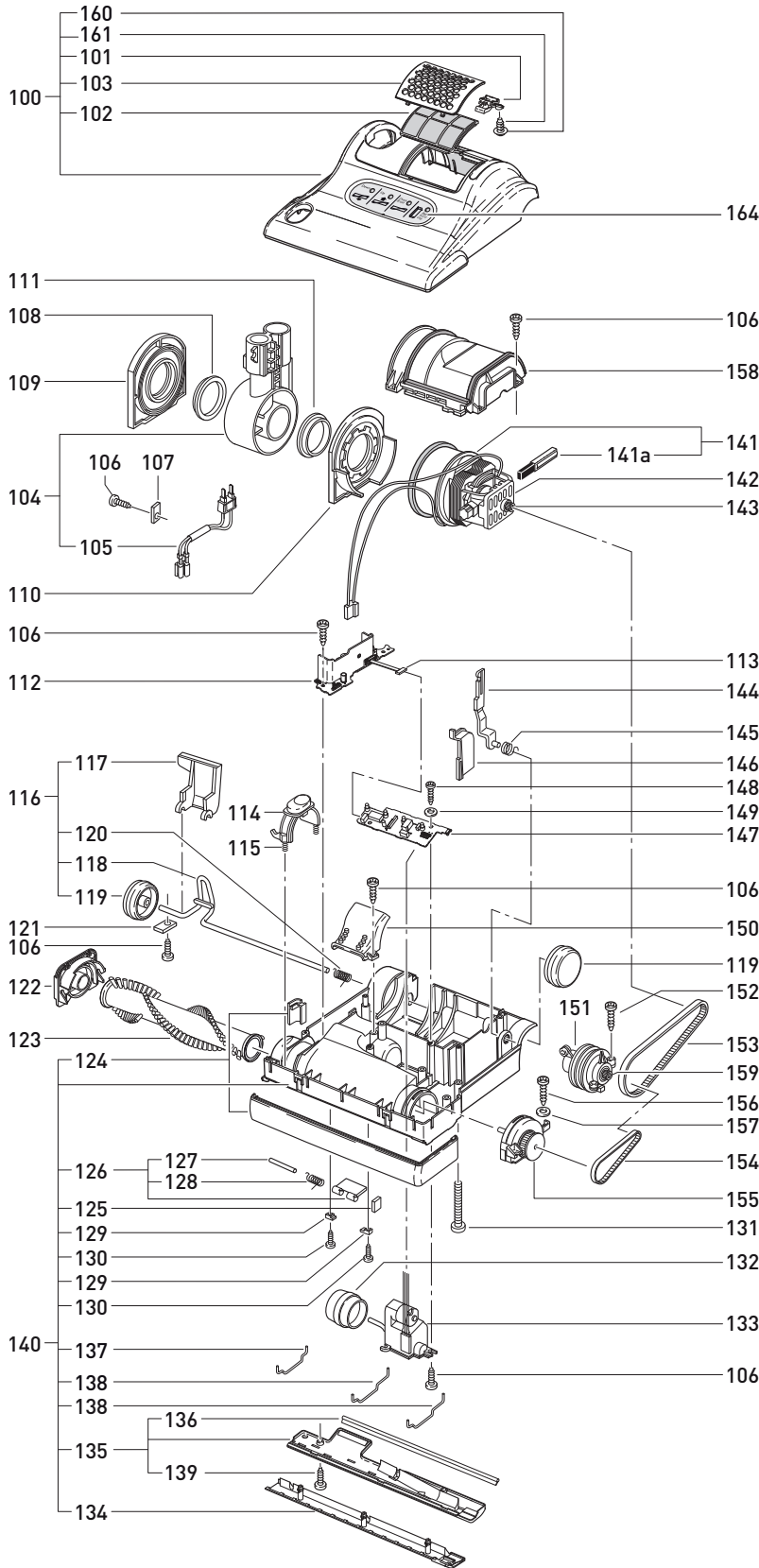
#9577AM AUTOMATIC X4 and #9587AM AUTOMATIC X5 Blue/Yellow Machine Exceptions

Pos.	Part #	Description
1	5647AM	Handle complete, gray black/yellow
6	5160SG	Switch cap, yellow
17	5707DB	Cover, dark blue
19	5706SG	Cover release, yellow
23	5749SE	Front cover complete, dark blue/ yellow
31	5722SG	Bag housing locking catch, yellow
32	1859SG	Handle catch, yellow
34	5721DB	Carrying handle, dark blue
35	5703DB	Cable hook, dark blue
47	5702DB	Bag housing bumper base, dark blue
48	5755DB	Bag housing complete, dark blue/yellow

AUTOMATIC X4 SCHEMATIC AND PARTS LIST

#9570AM AUTOMATIC X4 - Arctic White/Dark Gray
 #9501AM AUTOMATIC X4 - Onyx/Silver

#9558AM AUTOMATIC X4 - Red/Gray
 #9577AM AUTOMATIC X4 - Blue/Yellow



Power Head

#9570AM AUTOMATIC X4 Arctic White/Dark Gray Machine

Pos.	Part #	Description
100	5781SE	Power head cover, complete (incl. pos. 101-103, 160, 161, 164), white/gray black
101	5712WE	Exhaust filter catch, white
102	5143	Exhaust filter
103	5711WE	Exhaust filter cover, white
104	5729UL 5328OR	Swivel neck assembly incl. 105-108, 111 & Slider
105	5176UL	Male contact holder
106	0102	Screw F 3.9 x 13 DIN 7981
107	2494	Cable clamp
108	5101	Swivel neck bearing r. h.
109	5480	Swivel neck support r. h.
110	5479	Swivel neck support l. h.
111	5717	Swivel neck bearing l. h.
112	5850ER	Power supply & computer controller kit
113	5205/1	Ribbon cable set
114	5713WE	Brush roller release, arctic white
115	5103	Spring
116	5051GS	Axle, assembly (117-120)
117	5059OR	Foot pedal, orange
118	5053	Axle
119	5819GS	Wheel
120	2010	Axle spring
121	2014	Axle clamp
122	5031WE	Bearing block right hand, white/gray black
123	5010AM	Brush roller
124	5005GS	Bumper set
125	5155GS	Rubbing plate
126	5172OR	Access door (incl. pos. 127, 128)
127	5303	Access door axle
128	5304	Access door spring
129	5154GS	Hinge
130	0100	Screw C 2.9 x 9.5 DIN 7981
131	0176TL	Screw AM 4 x 30 DIN 7985 TL
132	5174GS	Pile adjustment wheel
133	5060ER	Servo motor with gear box
134	5411GS	Front bottom plate, complete
135	5412GS	Rear bottom plate, complete (incl. pos. 136, 139)
136	5400-1	Sealing strip
137	5401	Wire tie, short
138	5402	Wire tie, long
139	0197	Screw M 4 x 12
140	5482GS	Chassis cpl. (124-130, 134-139)
141	5468	Vacuum motor 1300 W 120 V (142, 143)
142	05117S	Motor pulley
143	5100	Rubber mounting
144	5462	Motor pulley cover
145	5129	Support lever
146	5107-1	Support spring
147	5112SW	Motor pulley cover
148	5850ER	Power supply & computer controller kit
149	0107	Screw C 2.9 x 13 DIN 7981
150	0143	Washer 3.2 DIN 125
151	5173SW	Cover for air channel
152	5464	Sensor w/screws and pulley
153	0104	Screw C 3.9 x 25 DIN 7981
154	5463	Opti-belt/Omega 2MR-310-6
155	5110	Belt 219 3M HTDII-6
156	5766HG	Bearing block l. h., complete
157	0103	Screw C 3.9 x 16 DIN 7981
158	0141	Locking washer
159	5018UL	Motor cover
160	5117/1	Sensor pulley
161	0103	Screw C 3.9 x 16 DIN 7981
164	0141	Locking washer
164	5730GS	Display, gray black

#9501AM AUTOMATIC X4 Onyx/Silver Machine Exceptions

100	50783SE	Power head cover, complete (incl. pos. 101-103, 160, 161, 164), onyx/silver
101	5712GS	Exhaust filter catch, gray black
103	5711SW	Exhaust filter cover, onyx
114	5713SW	Brush roller release, onyx
122	5031SW2	Bearing block right hand
164	5730SB	Display, silver

#9558AM AUTOMATIC X4 Red/Gray Machine Exceptions

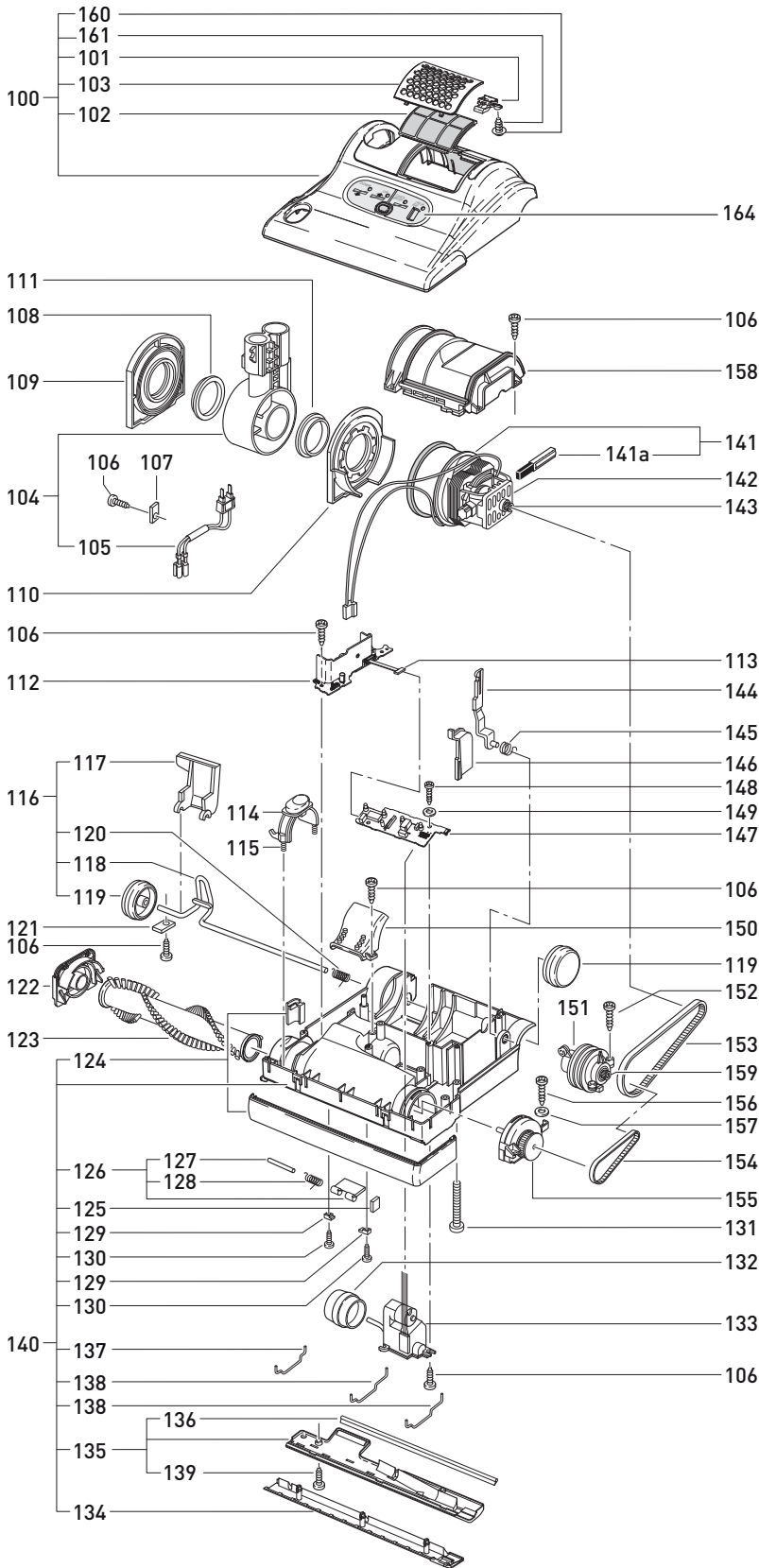
100	50778SE	Power head cover, complete (incl. pos. 101-103, 160, 161, 164), red/gray black
101	5712GS	Exhaust filter catch, gray black
103	5711DR	Exhaust filter cover, red
114	5713GS	Brush roller release
122	5031DR1	Bearing block right hand, red/gray black

#9577AM AUTOMATIC X4 Blue/Yellow Machine Exceptions

100	5786AM	Power head cover, complete (incl. pos. 101-103, 160, 161, 164), dark blue/yellow
101	5712DB	Exhaust filter catch, dark blue
103	5711DB	Exhaust filter cover, dark blue
114	5713DB	Brush roller release, dark blue
122	5031DB1	Bearing block right hand, dark blue/gray black
164	5730SG	Display, yellow

AUTOMATIC X4 BOOST SCHEMATIC AND PARTS LIST

#90506AM AUTOMATIC X4 BOOST - Arctic White
 #90504AM AUTOMATIC X4 BOOST - Graphite
 #90505AM AUTOMATIC X4 BOOST - Dark Red



Power Head

#90506AM AUTOMATIC X4 BOOST Arctic White Machine

Pos.	Part #	Description
100	50799WE	Power head cover, complete X4 BOOST (incl. pos. 101-103, 160, 161, 164), arctic white/gray black
101	5712GS	Exhaust filter catch, gray black
102	5143	Exhaust filter
103	5711GS	Exhaust filter cover, gray black
104	5729UL	Swivel neck assembly incl. 105-108, 111 & 5328OR
105	5176UL	Slider
106	0102	Male contact holder
107	2494	Screw F 3.9 x 13 DIN 7981
108	5101	Cable clamp
109	5480	Swivel neck bearing r. h.
110	5479	Swivel neck support r. h.
111	5717	Swivel neck bearing l. h.
112	5850ER	Swivel neck support l. h.
113	5205/1	Power supply & computer controller kit
114	5713GS	Ribbon cable
115	5103	Brush roller release, gray black
116	5051GS	Spring
117	5059OR	Axle, assembly (117-120)
118	5053	Foot pedal, orange
119	5819GS	Axle
120	2010	Wheel
121	2014	Axle spring
122	5031WE	Axle clamp
123	5010AM	Bearing block right hand, gray black
124	5005GS	Brush roller
125	5155GS	Bumper set
126	5172OR	Rubbing plate
127	5303	Access door (incl. pos. 127 + 128)
128	5304	Access door axle
129	5154GS	Access door spring
130	0100	Hinge
131	0176TL	Screw C 2.9 x 9.5 DIN 7981
132	5174GS	Screw AM 4 x 30 DIN 7985 TL
133	5060ER	Pile adjustment wheel
134	5411GS	Servo motor with gear box
135	5412GS	Front bottom plate, complete
136	5400-1	Rear bottom plate, complete (incl. pos. 136 + 139)
137	5401	Sealing strip
138	5402	Wire tie, short
139	0197	Wire tie, long
140	5482GS	Screw M 4 x 12
141	5468	Chassis cpl. (124-130 & 134-139)
142	05117S	Vacuum motor 1300 W 120 V (142 & 143)
143	5100	Carbon brush set for vac motor
144	5462	Rubber mounting
145	5107-1	Motor pulley
146	5112SW	Support lever
147	5850ER	Support spring
148	0107	Motor pulley cover
149	0143	Power supply & computer controller kit
150	5173SW	Screw C 2.9 x 13 DIN 7981
151	5464	Washer 3.2 DIN 125
152	0104	Cover for air channel
153	5463	Sensor w/screws and pulley
154	5110	Screw C 3.9 x 25 DIN 7981
155	5766HG	Opti-belt/Omega 2MR-310-6
156	0103	Belt 219 3M HTDII-6
157	0141	Bearing block l. h., complete
158	5018UL	Screw C 3.9 x 16 DIN 7981
159	5117/1	Locking washer
160	0103	Motor cover
161	0141	Sensor pulley
164	5799GS	Screw C 3.9 x 16 DIN 7981

#90504AM AUTOMATIC X4 BOOST Graphite Machine Exceptions

100	50799GS	Power head cover, complete X4 BOOST (incl. pos. 101-103, 160, 161, 164), gray black/silver
164	5799SB	Display, silver

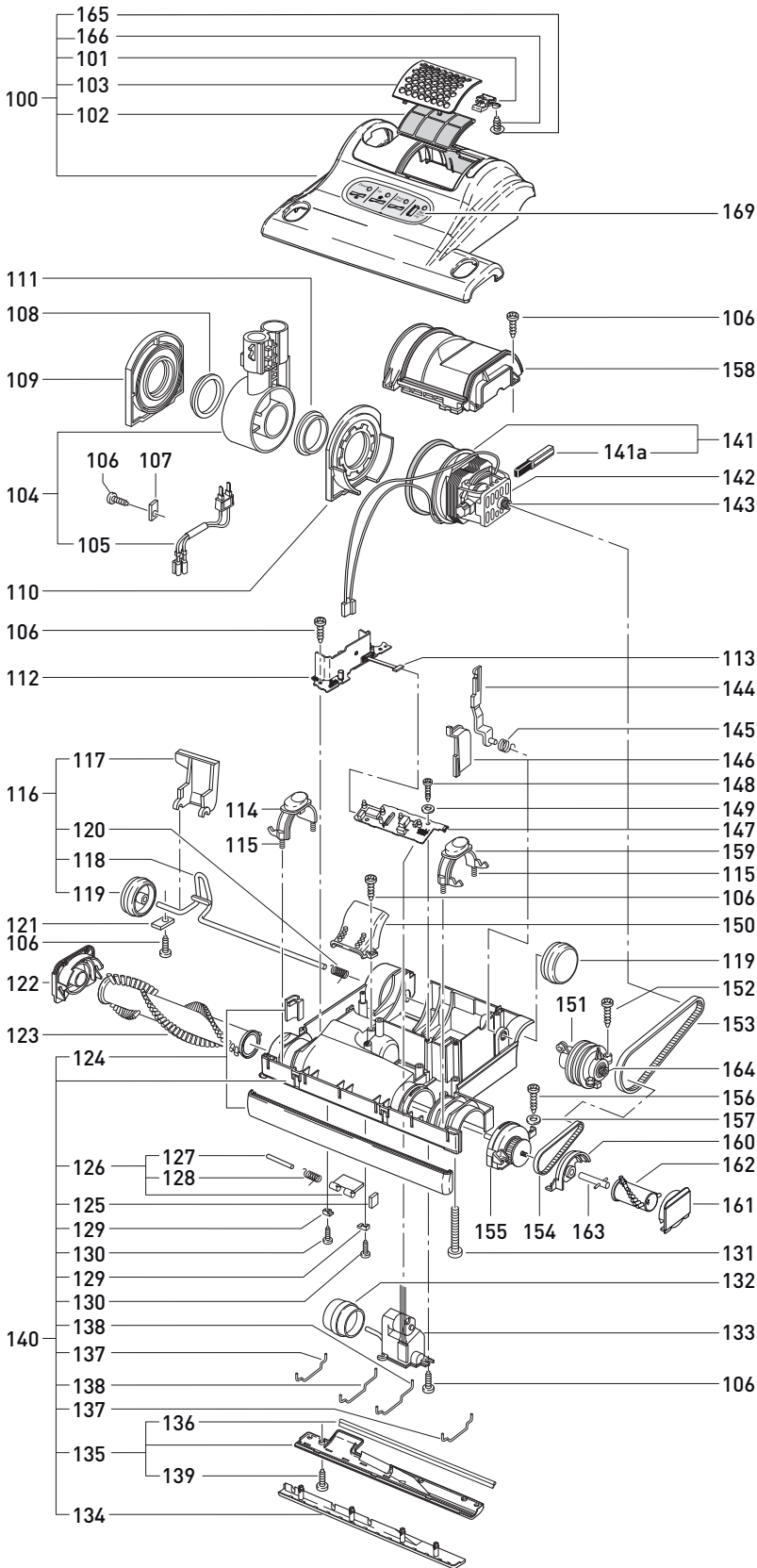
#90505AM AUTOMATIC X4 BOOST Dark Red Machine Exceptions

100	50799DR	Power head cover, complete X4 BOOST (incl. pos. 101-103, 160, 161, 164), dark red/gray black
164	5799GS	Display, gray/black

AUTOMATIC X5 SCHEMATIC AND PARTS LIST

#9580AM AUTOMATIC X5 - Arctic White/Gray

#9587AM AUTOMATIC X5 - Blue/Yellow



Power Head

#9580AM X5 AUTOMATIC Arctic White/Gray Machine

Pos.	Part #	Description
100	5791SE	Power head cover, complete (incl. pos. 101-103, 165, 166, 169), arctic white/gray black
101	5712WE	Exhaust filter catch, white
102	5143	Exhaust filter
103	5711WE	Exhaust filter cover, white
104	5729UL	Swivel neck assembly (105-108 & 111)
105	5176UL	Male contact holder
106	0102	Screw F 3.9 x 13 DIN 7981
107	2494	Cable clamp
108	5101	Swivel neck bearing r. h.
109	5178	Swivel neck support r. h.
110	5728	Swivel neck support l. h.
111	5717	Swivel neck bearing l. h.
112	5850ER	Power supply & computer controller kit
113	5205/1	Ribbon cable
114	5713WE	Brush roller release, arctic white
115	5103	Spring
116	5051GS	Axle, assembly (117-120)
117	5059OR	Foot pedal, orange
118	5053	Axle
119	5819GS	Wheel
120	2010	Axle spring
121	2014	Axle clamp
122	5031WE	Bearing block right hand, white/gray black
123	5290AM	Brush roller set
124	5230GS	Bumper set
125	5155GS	Rubbing plate
126	5172OR	Access door (incl. pos. 127 + 128)
127	5303	Access door axle
128	5304	Access door spring
129	5154GS	Hinge
130	0100	Screw C 2.9 x 9.5 DIN 7981
131	0176TL	Screw AM 4 x 30 DIN 7985 TL
132	5174GS	Pile adjustment wheel
133	5060ER	Servo motor with gear box
134	5413GS	Front bottom plate, complete
135	5414GS	Rear bottom plate, complete (incl. pos. 136 + 139)
136	5400-2	Sealing strip
137	5401	Wire tie, short
138	5402	Wire tie, long
139	0197	Screw M 4 x 12
140	5321GS	Chassis, complete (124-130 & 134-139)
141	5468	Vacuum motor 1300 W 120 V (142 & 143)
142	05117S	Carbon brush set-vac mtr.
143	5100	Rubber mounting
144	5462	Motor pulley
145	5129	Support lever
146	5107-1	Support spring
147	5112SW	Motor pulley cover
148	5850ER	Power supply & computer controller kit
149	0107	Screw C 2.9 x 13 DIN 7981
150	0143	Washer 3.2 DIN 125
151	5173SW	Cover for air channel
152	5465	Sensor w/screws and pulley
153	0104	Screw C 3.9 x 25 DIN 7981
154	5463	Opti-belt/Omega 2MR-310-6
155	5110	Belt 219 3M HTDII-6
156	5767HG	Bearing block l. h., complete
157	0103	Screw C 3.9 x 16 DIN 7981
158	0141	Locking washer
159	5018UL	Motor cover
160	5714WE	Brush cover release, X5, arctic white
161	5244HG	Seal bearing
162	5249WE	Brush cover, white/gray black
163	5250	Edge brush
164	5246	Shaft extension, complete
165	5117/1	Sensor pulley
166	0103	Screw C 3.9 x 16 DIN 7981
169	5730GS	Display, gray black

#9587AM AUTOMATIC X5 Blue/Yellow Machine Exceptions

100	5796AM	Power head cover complete (incl. pos. 101-103, 165, 166, 169), dark blue/yellow
101	5712DB	Exhaust filter catch, dark blue
103	5711DB	Exhaust filter cover, dark blue
114	5713DB	Brush roller release, dark blue
122	5031DB1	Bearing block right hand, dark blue/gray black
159	5714DB	Brush cover release, X5, dark blue
161	5249DB1	Brush cover, dark blue/gray black
169	5730SG	Display, yellow