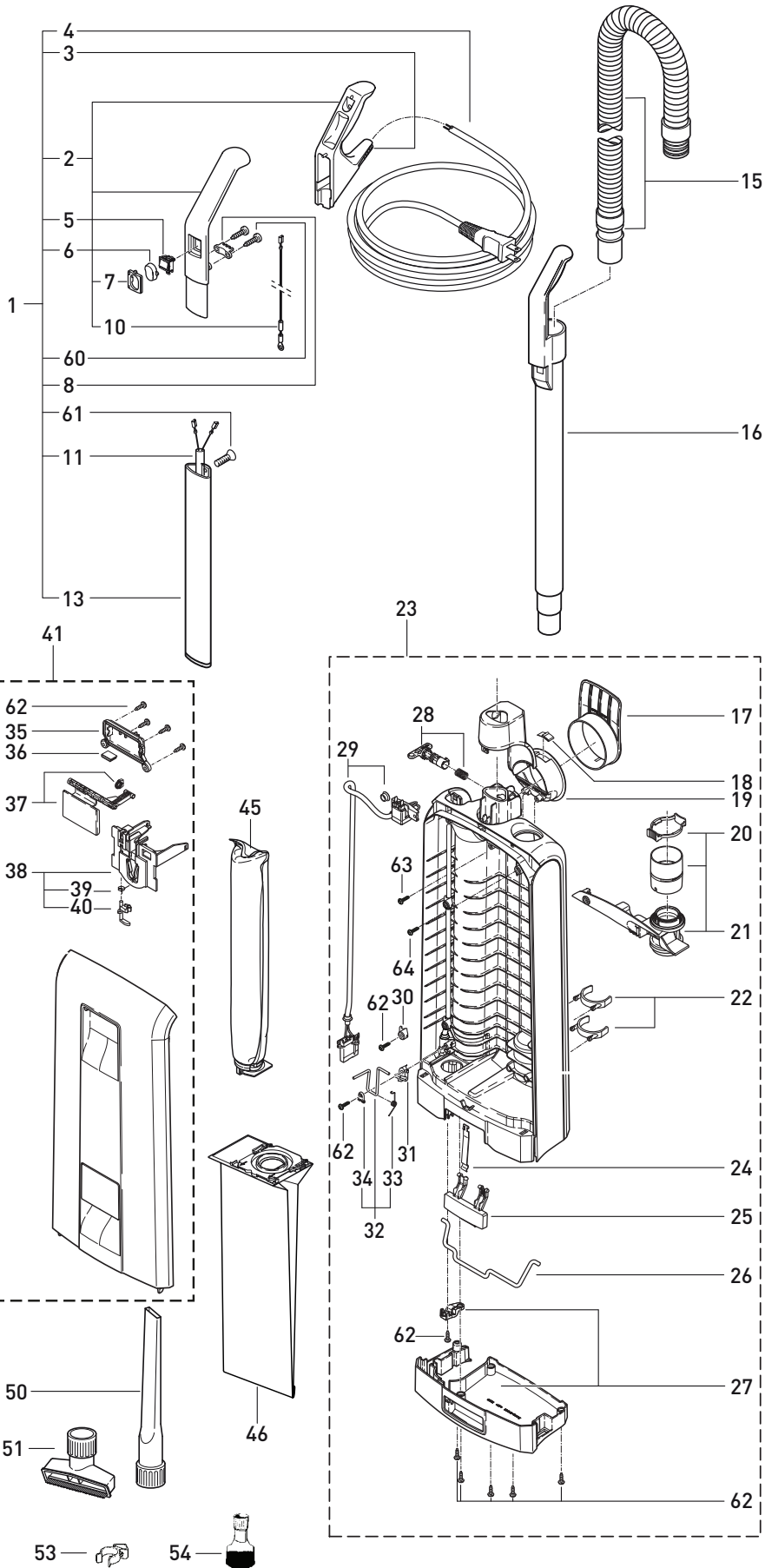


# ESSENTIAL G4 | G5 SCHEMATIC AND PARTS LIST

#90406AM G4 - Light Gray/Gray Black  
 #90407AM G5 - Light Gray/Gray Black



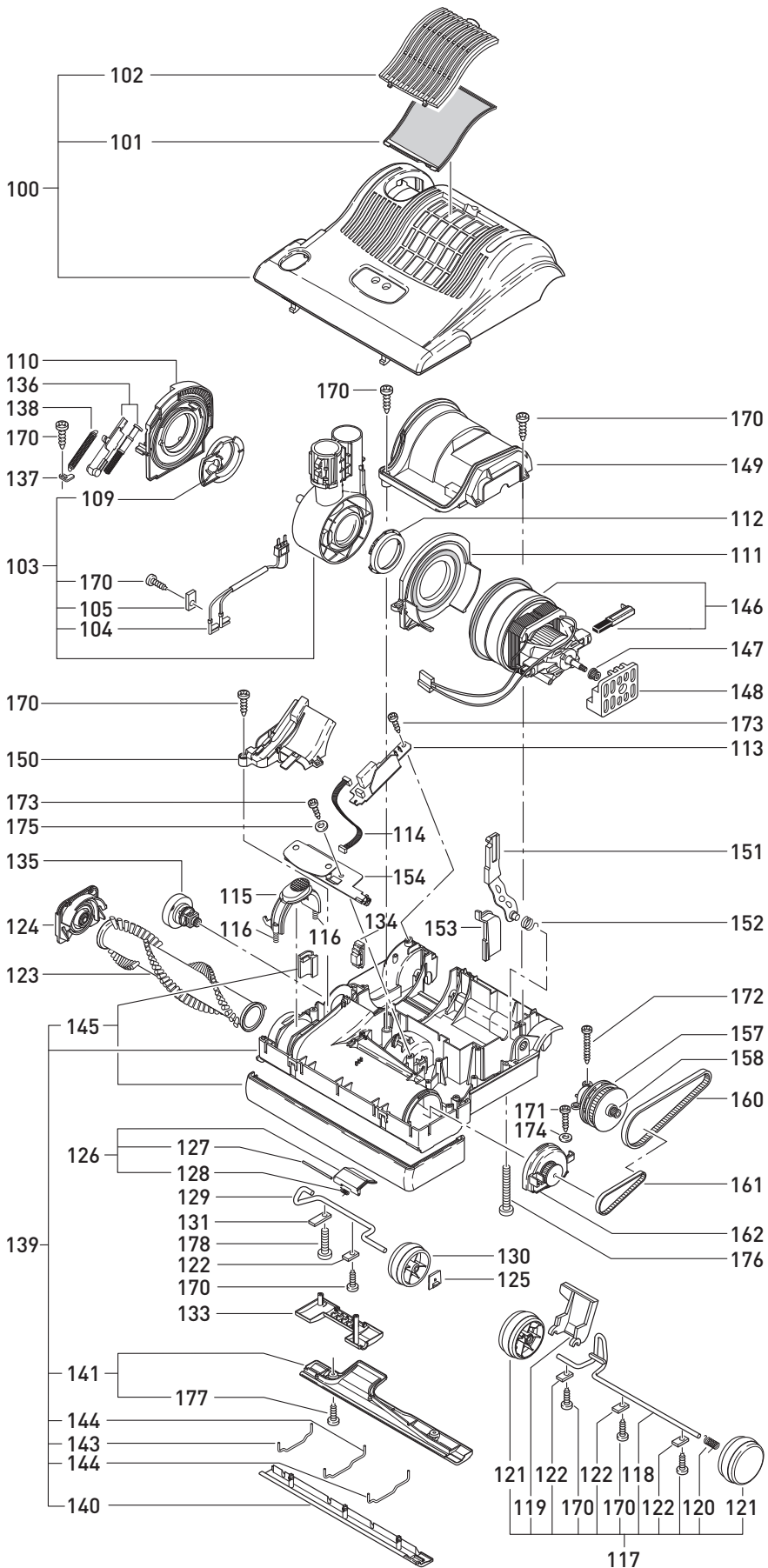
## Bag Housing and Handle

#90406AM G4 and #90407AM G5  
 Light Gray/Gray Black Machine

Pos.	Part #	Description
1	5624AM	Handle with cable, cpl., light gray/gray black
2	5296ES	Handle grip, light gray (incl. pos. 3, 7, 10)
3	5359HE	Grommet
4	5450DG	Power supply cord
5	05113	Switch
6	5160GS	Switch cap, gray black
7	5161HG	Switch cap holder, light gray
8	5162	Cable clamp
10	5253UL	Antistatic wire
11	5298ER	Handle cable, 2-wire
13	5187	Handle tube
15	5040SB	Hose, cpl, silver
16	5045HG	Cleaning wand w/out hose, light gray
17	51108HG	Cable hook, light gray
18	5146	Stop spring
19	51109HG	Carrying handle, light gray
20	5424GS	Retaining ring
21	51115HG	Internal cover, cpl.
22	1823HG	Attachment clip, light gray
23	51150HG	Bag housing, cpl., light gray
24	5084	Spring for locking rod
25	51103GS	Bag housing locking catch, gray black
26	5083	Locking rod
27	51102HG	Bag housing bumper base, light gray
28	51110ER	Lock catch w/spring, gray black
29	51118ER	Internal cable
30	5164	Cable clamp
31	5266	Cable clamp
32	5208	Filter safety catch, cpl., incl. pos. 33+34
33	5210	Return spring
34	1073	Clamp
35	51159GS	Cover, gray black
36	5319	Bag holder spring
37	51153GS	Cover release, gray black
38	1847	Bag holder cpl., incl. pos. 39+40
39	5091	Safety catch spring
40	1817	Safety catch
41	51151HG	Front cover, cpl., light gray
45	5036AM	Pre-motor microfilter
46	5093AM	Ultra filter bag
50	1092JE	Crevice nozzle, light gray
51	1491JE	Upholstery nozzle, light gray
53	5460GS	Mounting clip w/ screw, gray black
54	1387GS	Dusting brush, gray black
60	0103ER	Screw C3.9x15
61	0129ER	Screw M4x12
62	01036ER	AMTEC screw 4x13 Tx20
63	01036SW	AMTEC screw 4x13 Tx20, black
64	01047ER	AMTEC screw 3x12 Tx10, black

# ESSENTIAL G4 SCHEMATIC AND PARTS LIST

#90406AM G4 - Light Gray/Gray Black



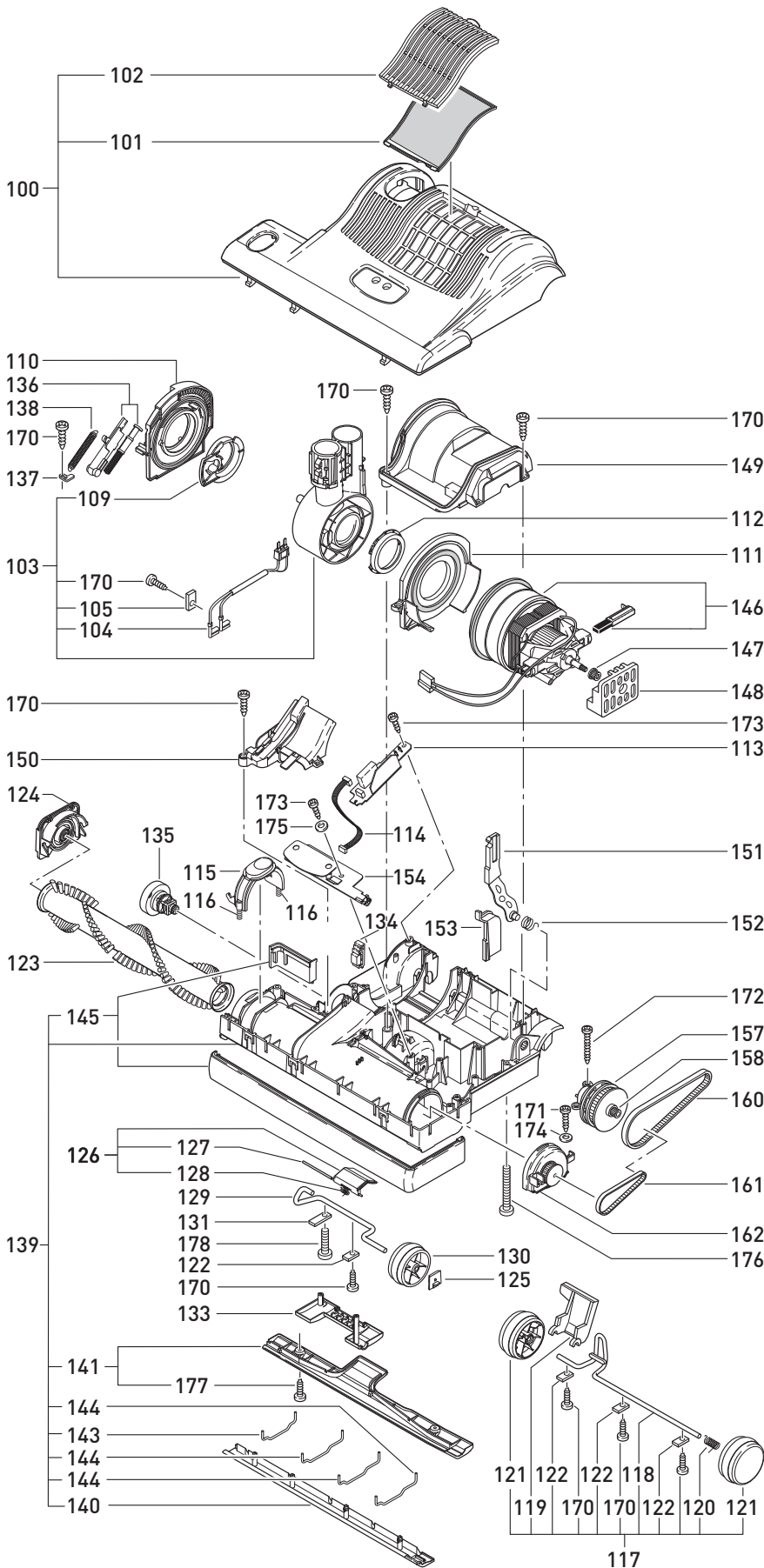
## Power Head

### #90406AM G4 Light Gray/Gray Black Machine

Pos.	Part #	Description
100	2831AM2	Power head cover, cpl., gray black
101	2846	Exhaust filter
102	2820GS	Exhaust filter cover, gray black
103	20823UL	Swivel neck assembly, light gray/orange
104	2883UL	Male contact holder
105	2494	Cable clamp
109	2825	Swivel neck bearing r.h.
110	2824	Swivel neck support r.h.
111	5479	Swivel neck support l.h.
112	5717	Swivel neck bearing l.h.
113	2890ER	PCB Power supply
114	0864	Internal cable
115	5713GS	Brush roller release, gray black
116	5103	Spring
117	5051HG	Axle assembly, light gray/orange
118	5053	Axle
119	5059OR	Foot pedal, orange
120	2010	Wheel return spring
121	5819HG	Wheel, light gray
122	2014ER	Axle clamp
123	5010AM	Brush roller
124	5031HG	Bearing Block, r.h., light gray/gray black
125	2869HG	Rubbing plate, light gray
126	2868OR	Access door, incl. pos. 127+128
127	5303	Access door axle
128	5304	Access door spring
129	2861	Pile adjustment axle
130	5174HG	Pile adjustment wheel, light gray
131	2849	Axle clamp
133	2860HG	Cover, light gray
134	2833	Thrust member
135	2862HG	Pile adjustment knob, light gray
136	2834	Thrust member
137	2856	Clamp
138	2867	Spring
139	2821HG	Chassis G4, cpl., light gray
140	5411HG	Front bottom plate, cpl., light gray
141	2829HG	Rear bottom plate, cpl., light gray
143	5401	Wire tie, bottom plate, outer
144	5402	Wire tie, bottom plate, center
145	5005HG	Bumper set, light gray
146	5468	Motor 1300W/120V
	05117S	Carbon brush set
	05135	Thermo switch
147	5462	Motor pulley 2MR
148	5100	Rubber mounting
149	2826GS	Motor cover, gray black
150	2839SW	Cover for air channel
151	50129	Support lever
152	5107-1	Support spring
153	5112SW	Motor pulley cover
154	20881ER	Computer controller
157	5464	Sensor
158	5117/1	Sensor pulley
160	5463	Belt 2MR-310-6
161	5110	Belt 219 3M HTD-II-6
162	5766HG	Bearing block l.h., cpl.
170	0102ER	Screw M3.9x13 DIN 7981
171	0103ER	Screw C3.9x16 DIN 7981
172	0104ER	Screw M3.9x25 MM
173	0107ER	Screw 2.9x13
174	0140ER	Washer 4.3 DIN 125
175	0143ER	Washer 3.2 DIN 125
176	0176ER	Screw M4x30
177	0197ER	Screw M4x12 w/washer
178	01010ER	Screw M4x16 DIN 7985

# ESSENTIAL G5 SCHEMATIC AND PARTS LIST

#90407AM G5 - Light Gray/Gray Black



## Power Head

### #90407AM G5 Light Gray/Gray Black Machine

Pos.	Part #	Description
100	2832AM2	Power head cover, cpl., gray black
101	2846	Exhaust filter
102	2820GS	Exhaust filter cover, gray black
103	20823UL	Swivel neck assembly, light gray/orange
104	2883UL	Male contact holder
105	2494	Cable clamp
109	2825	Swivel neck bearing r.h.
110	2824	Swivel neck support r.h.
111	5479	Swivel neck support l.h.
112	5717	Swivel neck bearing l.h.
113	2890ER	PCB Power supply
114	0864	Internal cable
115	2843GS	Brush roller release, gray black
116	5103	Spring
117	5051HG	Axle assembly, light gray/orange
118	5053	Axle
119	5059OR	Foot pedal, orange
120	2010	Wheel return spring
121	5819HG	Wheel, light gray
122	2014ER	Axle clamp
123	2838AM	Brush roller
124	5031HG	Bearing Block, r.h., light gray/gray black
125	2869HG	Rubbing plate, light gray
126	2868OR	Access door, orange, incl. pos. 127+128
127	5303	Access door axle
128	5304	Access door spring
129	2861	Pile adjustment axle
130	5174HG	Pile adjustment wheel, light gray
131	2849	Axle clamp
133	2860HG	Cover, light gray
134	2833	Thrust member
135	2862HG	Pile adjustment knob, light gray
136	2834	Thrust member
137	2856	Clamp
138	2867	Spring
139	2822HG	Chassis G5, cpl., light gray
140	2828HG	Front bottom plate, cpl., light gray
141	2830HG	Rear bottom plate, cpl., light gray
143	5401	Wire tie, bottom plate, outer
144	5402	Wire tie, bottom plate, center
145	2842HG	Bumper, 2pc. set, light gray
146	5468	Motor 1300W/120V
	05117S	Carbon brush set
	05135	Thermo switch vac
147	5462	Motor pulley 2MR
148	5100	Rubber mounting
149	2826GS	Motor cover, gray black
150	2839SW	Cover for air channel
151	50129	Support lever
152	5107-1	Support spring
153	5112SW	Motor pulley cover
154	20881ER	Computer controller
157	5465	Sensor, cpl.
158	5117/1	Sensor pulley
160	5463	Belt 2MR-310-6
161	5110	Belt 219 3M HTD-II-6
162	5766HG	Bearing block l.h., complete
170	0102ER	Screw M3.9x13 DIN 7981
171	0103ER	Screw C3.9x16 DIN 7981
172	0104ER	Screw M3.9x25 MM
173	0107ER	Screw 2.9x13
174	0140ER	Washer 4.3 DIN 125
175	0143ER	Washer 3.2 DIN 125
176	0176ER	Screw M4x30
177	0197ER	Screw M4x12 w/washer
178	01010ER	Screw M4x16 DIN 7985