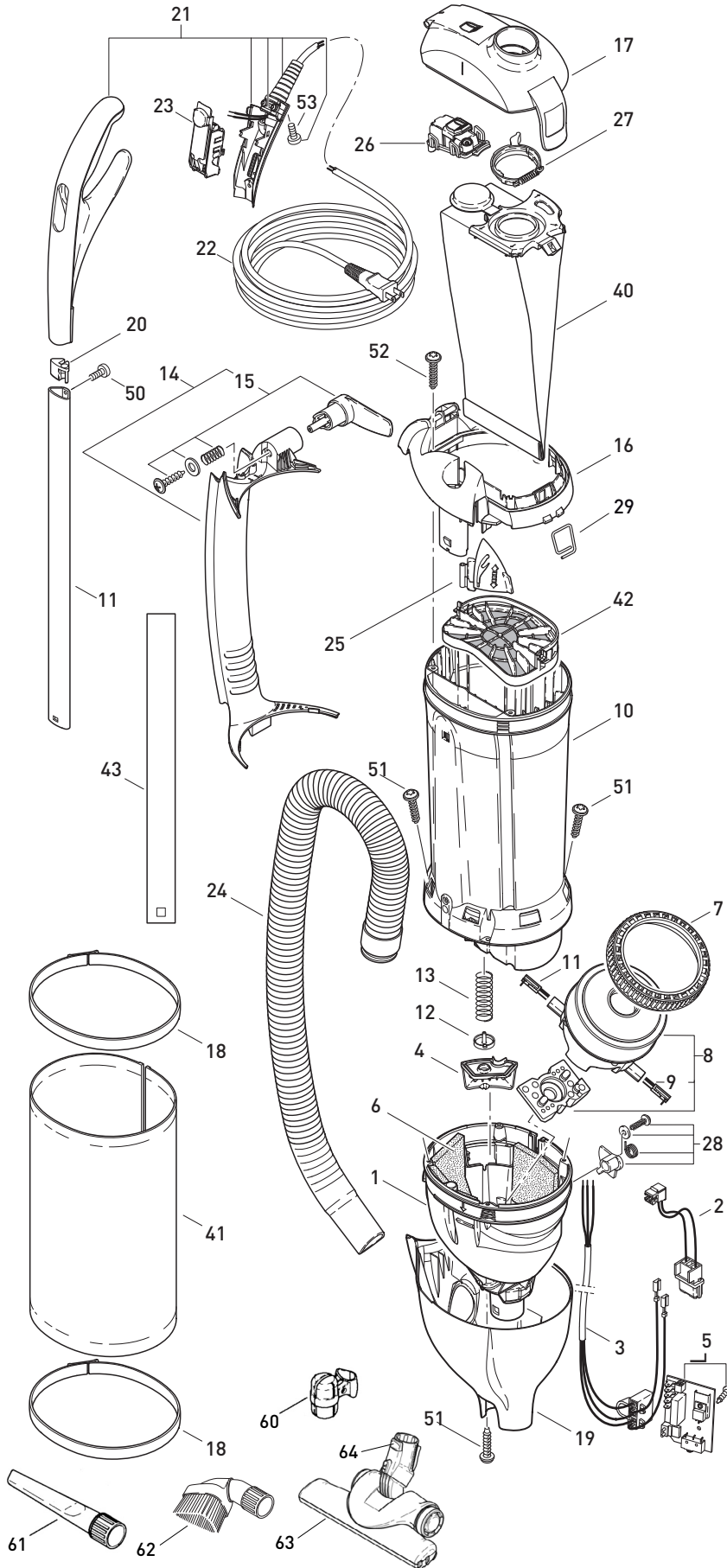


FELIX PREMIUM SCHEMATIC AND PARTS LIST

- #9807AM FELIX Premium - Onyx (Black/Silver)
- #9809AM FELIX Premium - Rosso (Red)
- #90812AMR FELIX Premium - Rose (Arctic White/Rose) (USA)
- #90812FCR FELIX Premium - Rose (Arctic White/Rose) (Canada)
- #90814AM FELIX Premium - Indigo (Dark Blue/White) (USA)
- #90814FC FELIX Premium - Indigo (Dark Blue/White) (Canada)



Bag Housing with Handle

#9807AM FELIX Premium Onyx (Black/Silver) Machine

Pos.	Part #	Description
1	7078GS	Air duct
2	7064	Internal wiring ET
3	7071	Internal cable
4	7056GS	Valve cover
5	7111ER	Printed circuit board 120V
6	7098	Sound insulation
7	1047	VAC motor seal
8	7041ER	VAC motor 120V, 1000W
9	05140S	Carbon brush set
10	7143ER	Bag housing
11	7081ER	Handle tube
12	7025	Valve disc
13	8128UL	Valve spring
14	7090SW	Hose duct, black
15	7027SW	Cable hook, black
16	7093SW	Cover, bag housing, black
17	7091SW	Filter cover, black
18	7017SB	Exhaust filter clamp, silver/gray black
19	7173SE	Lower housing, black
20	7076GS	Tube plug
21	7164GSSW	Handle complete, black
22	7127DG	Cable w/plug, 2-wire
23	7038SW	Switch assembly, cpl., back
24	7050SB	Hose cpl., silver
25	7082SW	Handle release button, black
26	7094ER	Filter indicator, cpl.
27	7018OR	Retaining ring, cpl.
28	7032ER	Switch lever, cpl.
29	7024ER	Cover latch spring
40	7029AM	AeraPure™ filter bag
41	7095ER04	Exhaust filter, onyx
42	7012AM	Pre-motor filter
50	0127	Screw M 4x10K
51	01016	Screw STS 4x16-T20
52	01017	Screw STS 4x20-T20
53	01036	Screw 4x14
60	7097SW	Double attachment clip, black
61	1092SW	Crevice nozzle, black
62	1387GS	Dusting brush, gray black
63	7200GS	Premium parquet brush, gray black
	7207ER	Brush strip set (2 pcs. for 7200GS)
64	7212GS	Button cover for 7200GS

#9809AM FELIX Premium Rosso (Red) Machine Exceptions

14	7090DR	Hose duct, dark red
15	7027DR	Cable hook, dark red
16	7093DR	Cover, bag housing, dark red
17	7091DR	Filter cover, dark red
19	7186SE	Lower housing, dark red
21	7164GSDR	Handle complete, dark red
23	7038DR	Switch assembly, cpl., dark red
25	7082DR	Handle release button, dark red
41	7095ER12	Exhaust filter, rosso
60	7097GS	Double attachment clip, gray black
61	1092GS	Crevice nozzle, gray black

#90812AMR FELIX Premium, #90812FCR FELIX Rose (Arctic White/Rose) Machine Exceptions

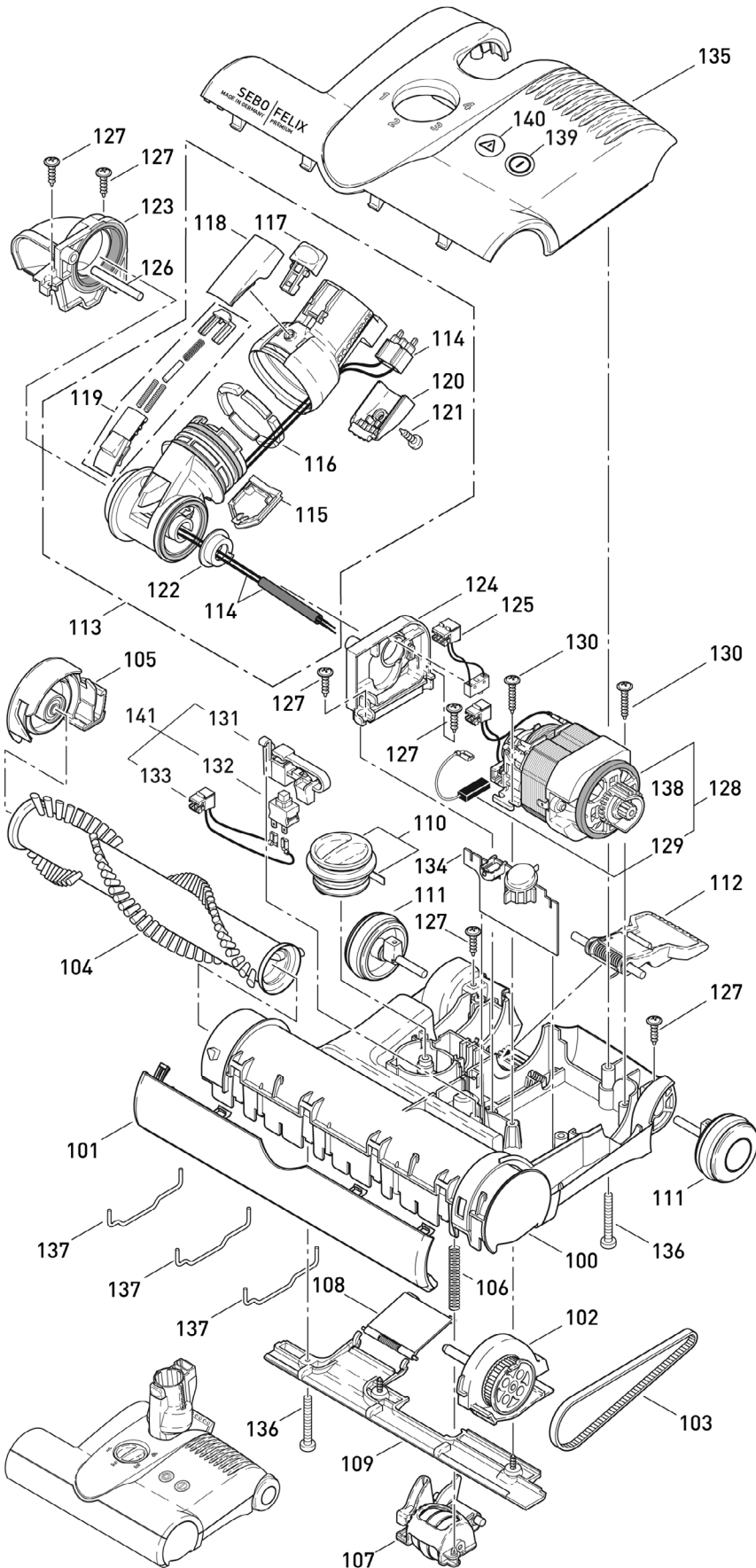
14	7090WE	Hose duct, arctic white
15	7027WE	Cable hook, arctic white
16	7093WE	Cover, bag housing, arctic white
17	7091WE	Filter cover, arctic white
19	7159WESE	Lower housing, arctic white
21	7164WE	Handle complete, arctic white
23	7038WE	Switch assembly, cpl., arctic white
25	7082WE	Handle release button, arctic white
41	7095ER37	Exhaust filter, rose
60	7097WE	Double attachment clip, arctic white
61	1092JE	Crevice nozzle, light gray

#90814AM FELIX Premium, #90814FC FELIX Premium Indigo (Dark Blue/White) Machine Exceptions

14	7090DB	Hose duct, dark blue
15	7027DB	Cable hook, dark blue
16	7093DB	Cover, bag housing, dark blue
17	7091DB	Filter cover, dark blue
19	70166SE	Lower housing, dark blue
21	7164DB	Handle complete, dark blue
23	7038DB	Switch assembly, cpl., dark blue
25	7082DB	Handle release button, dark blue
41	7095ER39	Exhaust filter, indigo
60	7097GS	Double attachment clip, gray black
61	1092GS	Crevice nozzle, gray black

FELIX PREMIUM SCHEMATIC AND PARTS LIST

- #9807AM FELIX Premium - Onyx (Black/Silver)
- #9809AM FELIX Premium - Rosso (Red)
- #90812AMR FELIX Premium - Rose (Arctic White/Rose) (USA)
- #90812FCR FELIX Premium - Rose (Arctic White/Rose) (Canada)
- #90814AM FELIX Premium - Indigo (Dark Blue/White) (USA)
- #90814FC FELIX Premium - Indigo (Dark Blue/White) (Canada)



Power Head - 12 inch (ET-1)

#9807AM FELIX Premium Onyx (Black/Silver) Machine

Pos.	Part #	Description
100	2324GS	Chassis ET-1, gray black
101	2302GS	Bumper, cpl., gray black
102	2314GS	Bearing block, left cpl.
103	2923	Belt 333 3M HTDII-6
104	5010AM	Brush roller, cpl.
105	2313GS	Bearing block, right cpl.
106	2929	Spring
107	2316GS	Pile adjustment assembly, cpl., gray black
108	2909VO	Access door w/axle & spring
109	2304GS	Rear bottom plate, cpl., gray black
110	2931SB	Pile adjustment button, silver
111	2306GS	Wheel, cpl., gray black
112	2937OR	Foot pedal
113	2307GS	Swivel neck assembly, cpl., gray black
114	0876ER	Wiring swivel neck
115	2947GS	Cover, gray black
116	2950ER	Segments, TS-neck
117	1737GS	Release button, gray black
118	2952GS	Button cover, gray black
119	2945GS	Swivel neck slide, gray black
120	2951GS	Socket cover, TS-neck
122	2954	Swivel neck bearing
123	2311	Swivel neck support, right
124	2312	Swivel neck support, left
125	0880	Wiring swivel neck switch
126	2928	Axle
128	2973ER	Brush motor 120V, 175W
129	05141S	Carbon brush set
131	2958ER	Lever
132	05114	Switch 2-pole
133	0881	Wiring set foot switch
134	2684ER	Printed circuit board ET1-175W, 120V
135	2360SWSE	Power head cover ET1, black
137	5402	Wire tie
138	2319	Motor pulley
139	2957	On/Off button/lens
140	2956	Brush light lens
141	2959	Switch cpl.
150	01020	Screw F 3.9x21
151	01021	Screw F 3.9x13
152	01027	Screw F 3.9x9.5
153	0176	Screw AM 4x30

#9809AM FELIX Premium Rosso (Red) Machine Exceptions

135	2330DRSE	Power head cover, red
-----	----------	-----------------------

#90812AMR FELIX Premium, #90812FCR FELIX Premium Rose (Arctic White/Rose) Machine Exceptions

100	2324HG	Chassis ET-1, light gray
101	2302HG	Bumper, cpl., light gray
102	2314HG	Bearing block, left cpl., light gray
105	2313HG	Bearing block, right cpl., light gray
107	2316HG	Pile adjustment assembly, cpl., light gray
109	2304HG	Rear bottom plate, cpl., light gray
110	2931HG	Pile adjustment button, light gray
111	2306HG	Wheel, cpl., light gray
113	2307HG	Swivel neck assembly, cpl., light gray
115	2947HG	Cover, TS-neck, light gray
117	1737HG	Release button, light gray
118	2952HG	Button cover, light gray
119	2945HG	Swivel neck slide, light gray
120	2951HG	Socket cover, TS-neck, light gray
135	2331WESE	Power head cover ET1, white

#90814AM FELIX, #90814FC FELIX Premium Indigo (Dark Blue/White) Machine Exceptions

135	2361DBSE	Power head cover ET1, dark blue
-----	----------	---------------------------------